

WALL



CABINET CODING

standard

W **36** **18**
CABINET CODE WIDTH HEIGHT

refrigerator

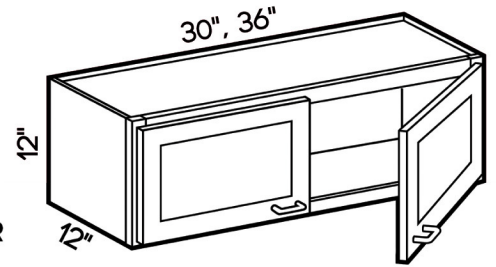
W **36** **18** **24**
CABINET CODE WIDTH HEIGHT DEPTH

NOTES

- Standard wall cabinets are 12" deep.
- Refrigerator wall cabinets are 24" deep.
- Add door thickness for total cabinet depth.
- Products are available in all door styles and colors unless stated otherwise.
- Exposed sides require finished ends or matching end panels.

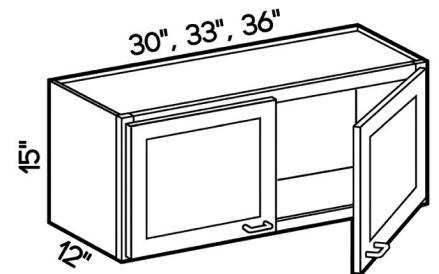
W3012
W3612

12" HIGH DOUBLE DOOR



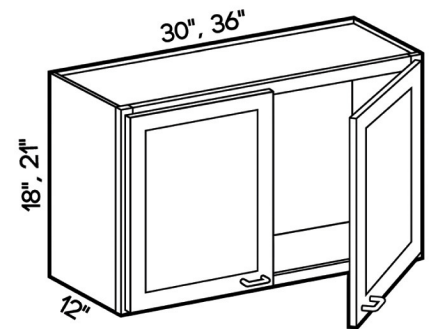
W3015
W3315
W3615

15" HIGH DOUBLE DOOR



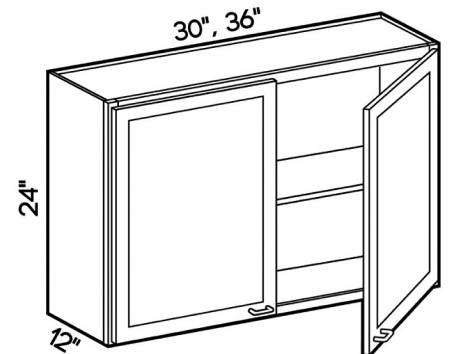
W3018
W3618
W3021
W3621

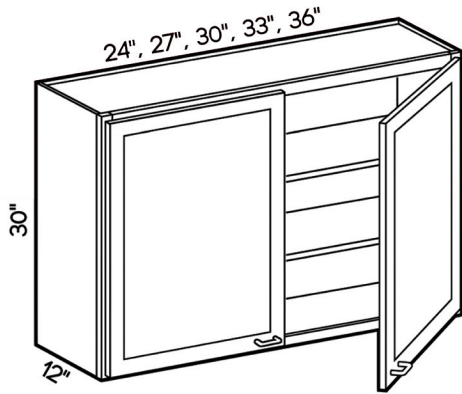
18"
21" HIGH DOUBLE DOOR



W3024
W3624

24" HIGH DOUBLE DOOR
One adjustable shelf





30" HIGH DOUBLE DOOR
- Two adjustable shelves

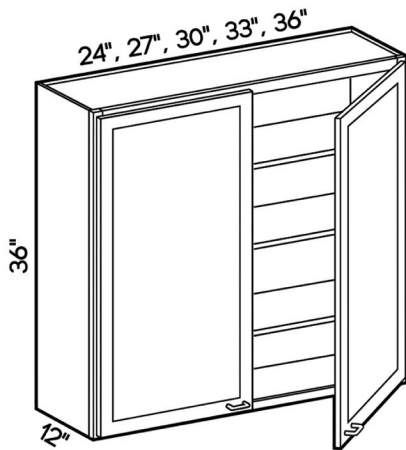
W2430

W2730[^]

W3030[^]

W3330[^]

W3630[^]



36" HIGH DOUBLE DOOR
- Two adjustable shelves

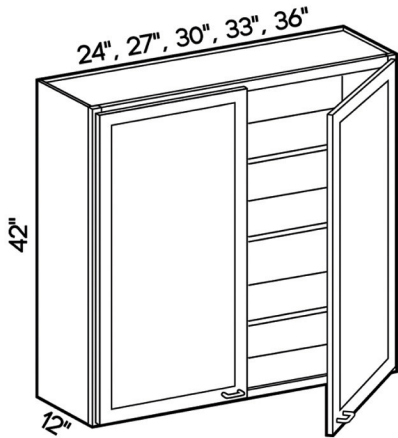
W2436[^]

W2736

W3036[^]

W3336

W3636[^]



42" HIGH DOUBLE DOOR
- Three adjustable shelves

W2442[^]

W2742

W3042[^]

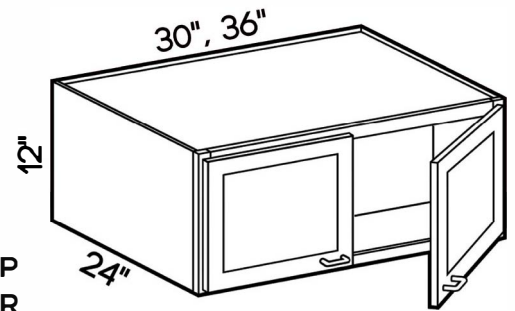
W3342

W3642[^]

W361224

12" HIGH BY 24" DEEP DOUBLE DOOR

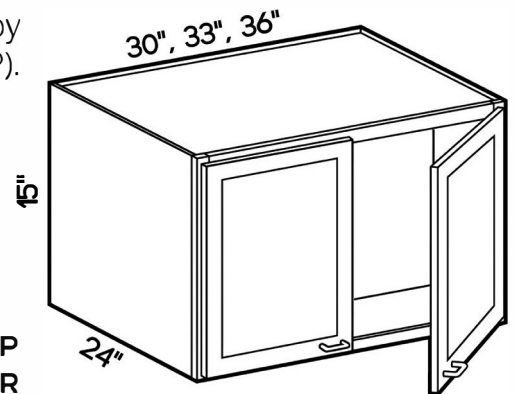
Must be installed between two cabinets, cabinet and wall, or supported by refrigerator panels (RP).



W361524

15" HIGH BY 24" DEEP DOUBLE DOOR

Must be installed between two cabinets, cabinet and wall, or supported by refrigerator panels (RP).

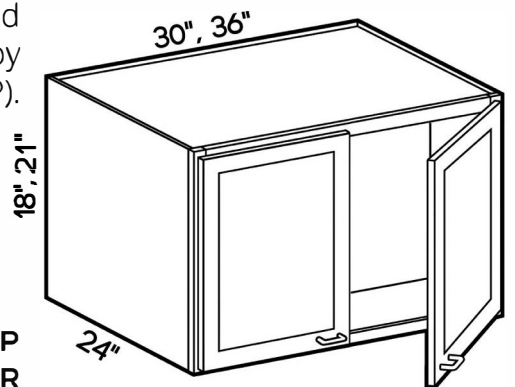


W361824

W362124

18" HIGH BY 24" DEEP DOUBLE DOOR

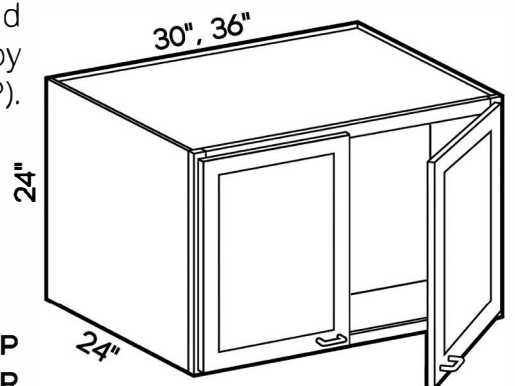
Must be installed between two cabinets, cabinet and wall, or supported by refrigerator panels (RP).

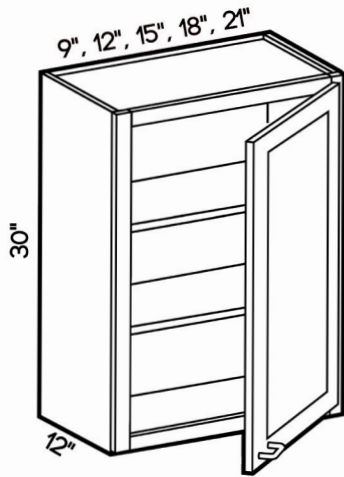


W362424

24" HIGH BY 24" DEEP DOUBLE DOOR

Must be installed between two cabinets, cabinet and wall, or supported by refrigerator panels (RP).

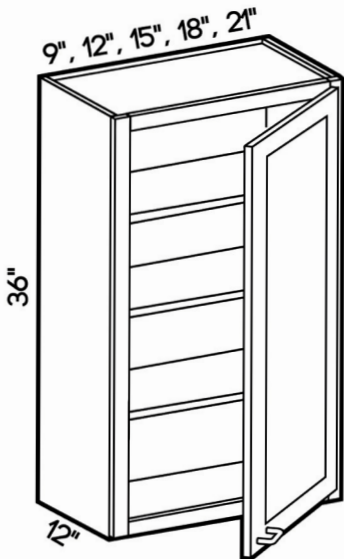




**30" HIGH SINGLE DOOR
LEFT OR RIGHT HINGED**

- Two adjustable shelves
- Mullion doors available for noted sizes on the right.

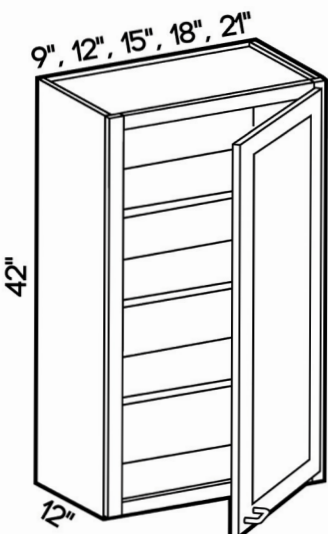
W0930
W1230[^]
W1530[^]
W1830[^]
W2130[^]



**36" HIGH SINGLE DOOR
LEFT OR RIGHT HINGED**

- Three adjustable shelves
- Mullion doors available for noted sizes on the right.

W0936
W1236[^]
W1536[^]
W1836[^]
W2136[^]



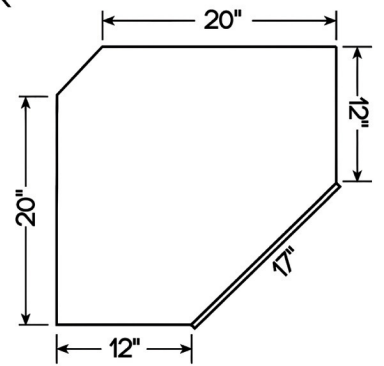
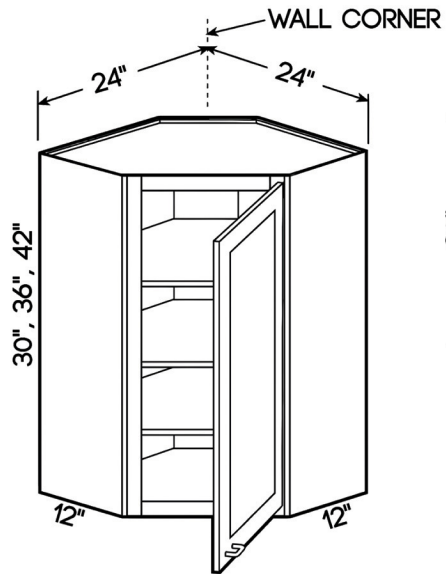
**42" HIGH SINGLE DOOR
LEFT OR RIGHT HINGED**

- Three adjustable shelves
- Mullion doors available for noted sizes on the right.

W0942
W1242[^]
W1542[^]
W1842[^]
W2142[^]

WDC2430

**30" HIGH
WALL ANGLE**
Two adjustable shelves

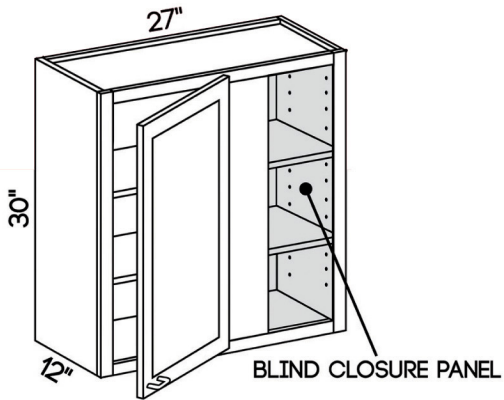


WDC2436

**36", 42" HIGH
WALL ANGLE**
Three adjustable shelves

WDC2442

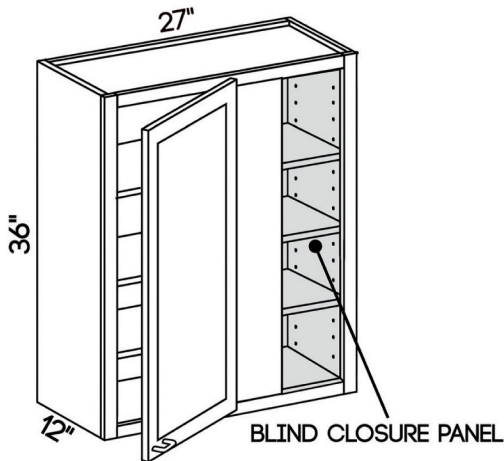
Three adjustable shelves



**30" HIGH WALL
BLIND CORNER**

- Two adjustable shelves

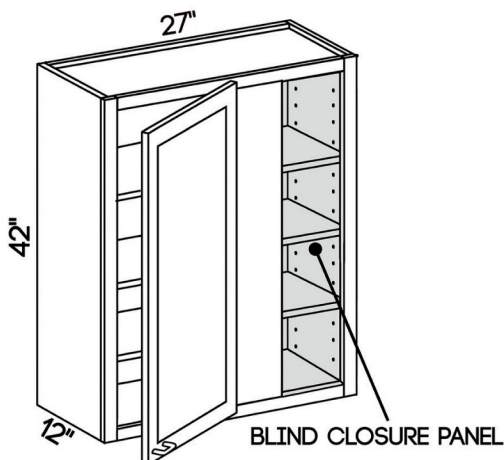
WBC2730



**36" HIGH WALL
BLIND CORNER**

- Three adjustable shelves

WBC2736



**42" HIGH WALL
BLIND CORNER**

- Three adjustable shelves

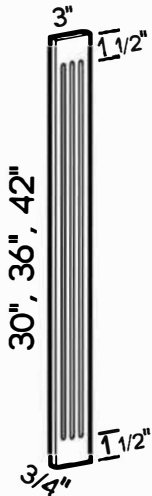
WBC2742



FILLER STRIP

- Face and all edges finished
- Angle fillers available; 45° - 135° fit.

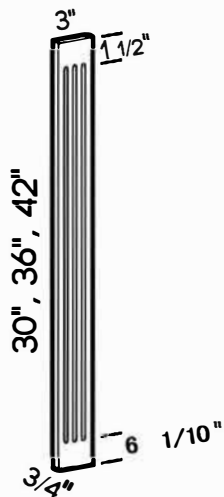
WF330
WF336
WF342
WF396
WF642
WF696



FLUTED FILLER STRIP

- Face and all edges finished
- Angle fillers available; 45° - 135° fit.

WFF336
WFF342
WFF630
WFF642

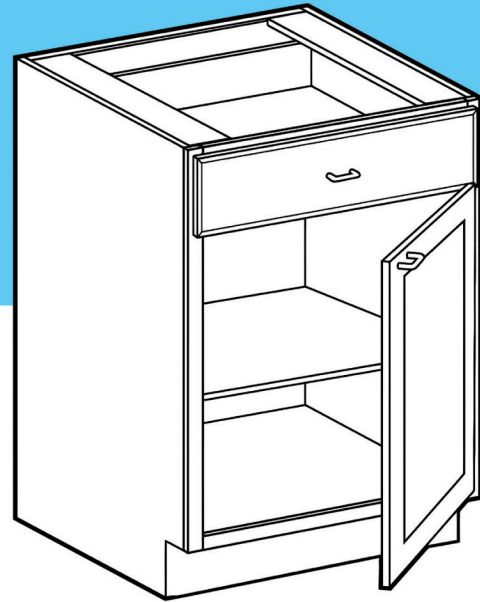


FLUTED FILLER STRIP

- Face and all edges finished
- Angle fillers available; 45° - 135° fit.

WFF396
WFF696

BASE



CABINET CODING

standard

CABINET
CODE

30

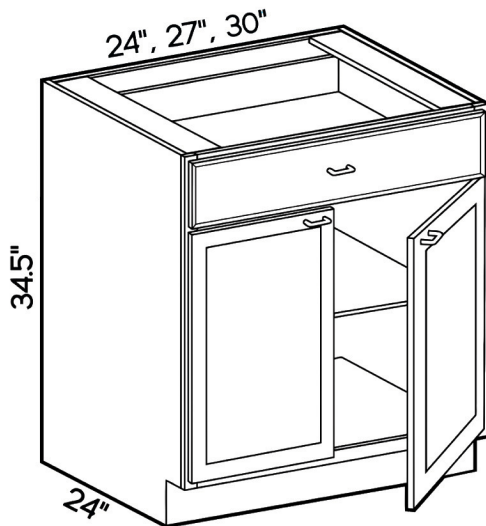
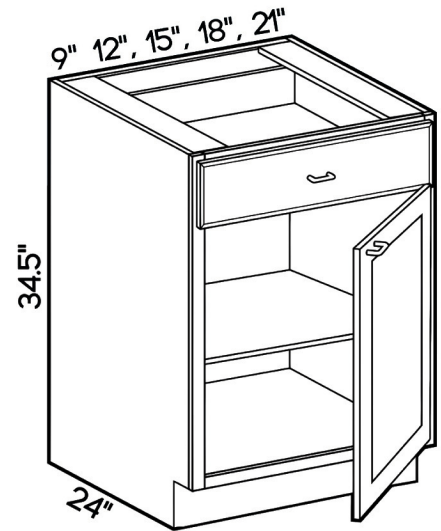
WIDTH

NOTES

- Standard base cabinets are 24" deep and 34.5" high.
- Desk base cabinets have the same dimensions as standard base cabinets.
- Add door thickness for total cabinet depth.
- Products are available in all door styles and colors unless stated otherwise.
- Exposed sides require finished ends or matching end panels.

B09
B12
B15
B18
B21

24" DEEP SINGLE DOOR
LEFT OR RIGHT HINGED
- One full depth adjustable shelf

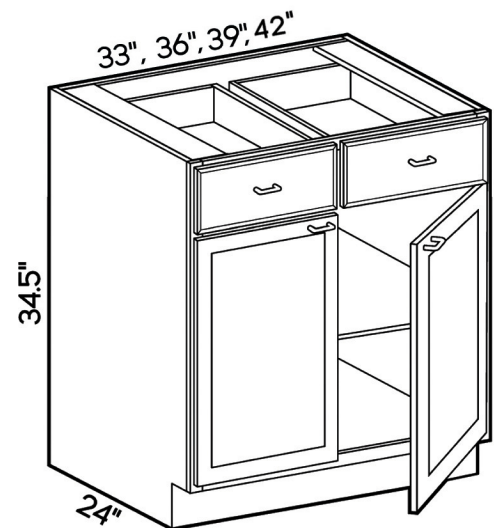


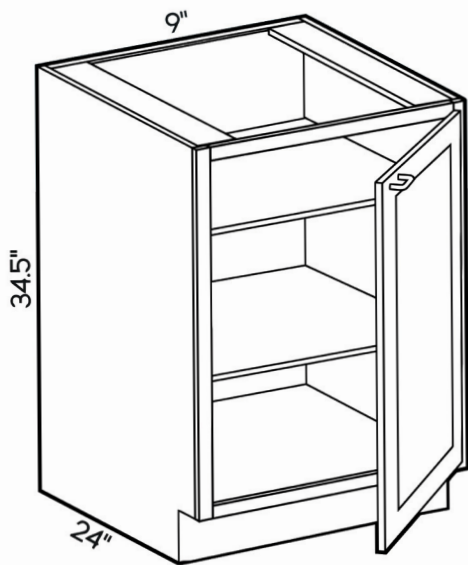
24" DEEP DOUBLE DOOR
- One full-depth adjustable shelf

B24
B27
B30

B33
B36
B39
B42

24" DEEP DOUBLE DOOR
- One full-depth adjustable shelf

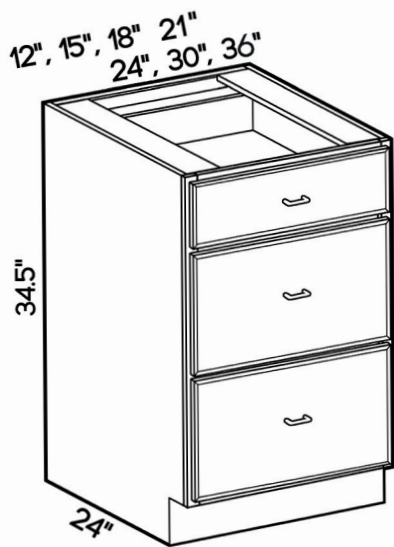




**24" DEEP SINGLE FULL
HEIGHT DOOR
LEFT OR RIGHT HINGED**

- One full-depth adjustable shelves

BT09



24" DEEP BASE DRAWER

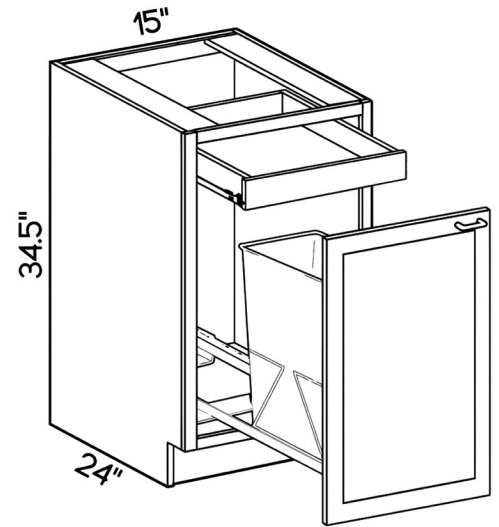
- One standard drawer with two deep drawers

DB12 -3
DB15 -3
DB18 -3
DB21 -3
DB24 -3
DB30 -3
DB33 -3
DB36 -3

TCK15-1

24" DEEP BASE WITH WASTEBASKET

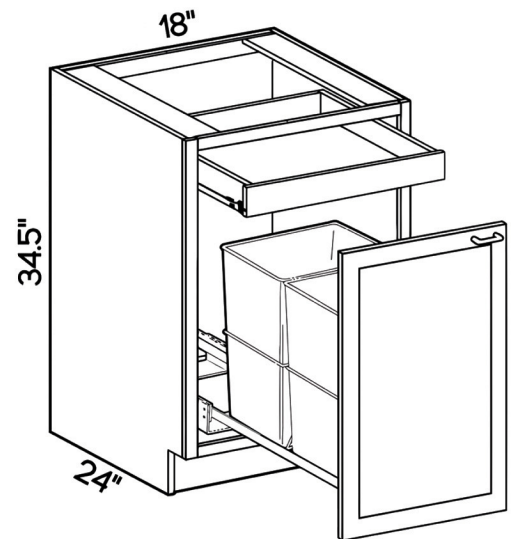
- Basket slides on full extension runners
- One removable 35-quart capacity white basket

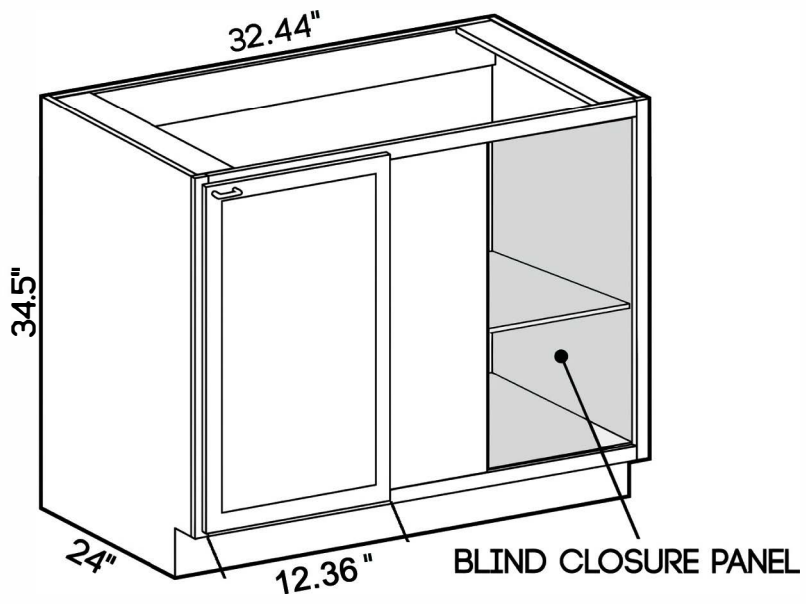


TCK18-2

24" DEEP BASE WITH WASTEBASKET

- Baskets slide on full extension runners
- Two removable 35-quart capacity white baskets



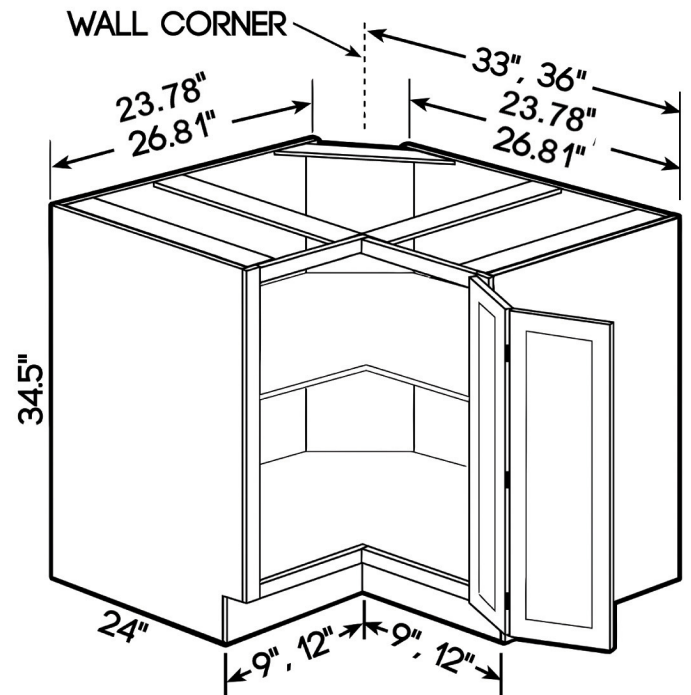


24" DEEP BLIND CORNER
LEFT OR RIGHT BLIND
- Single full height door

BBC 42-45

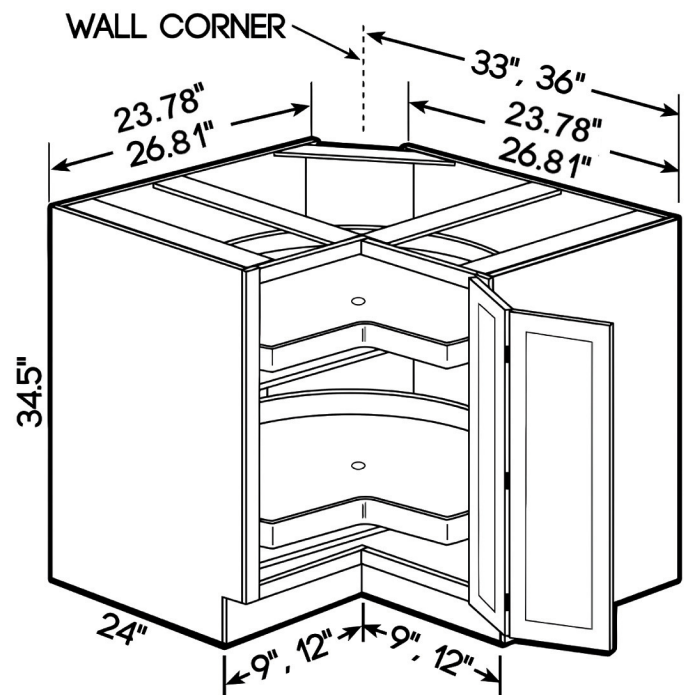
LSB 33 LSB 36

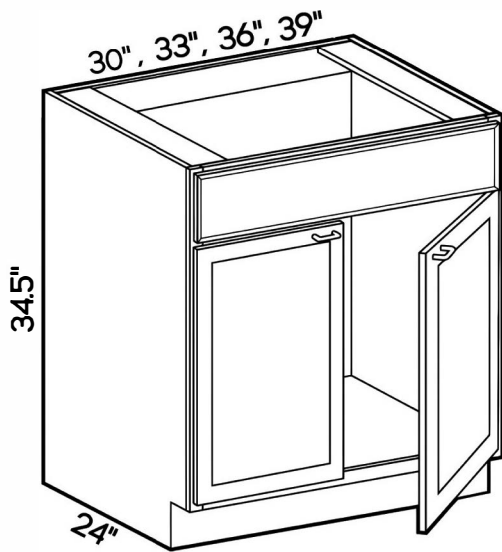
33" AND 36" EASY REACH
LEFT OR RIGHT BLIND
- Doors open 170° for
accessibility



can purchase 2 single wooden
lazy susan individually

33" AND 36" EASY REACH
WITH SUPER SUSAN
LEFT OR RIGHT BLIND
- Doors open 170° for
accessibility





24" DEEP SINK BASE SINGLE FRONT

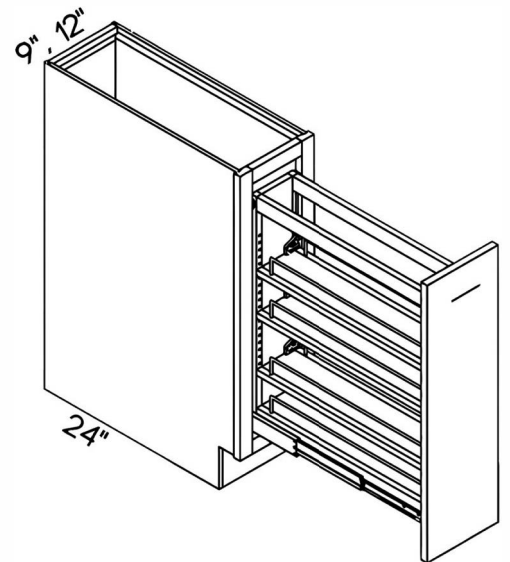
- No shelf, single false drawer front
- May also be used as drop-in cooktop base

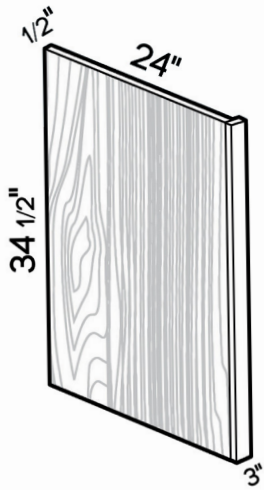
SB30
SB33
SB36

BSR09
BSR12

24" DEEP BASE
PANTRY PULLOUT

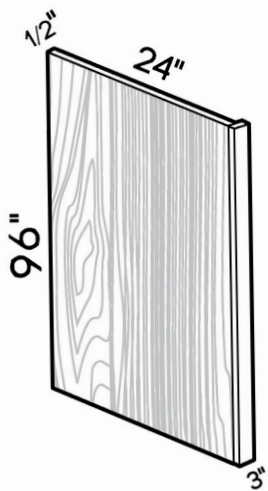
- Full extension ball bearing runners





BASE END PANEL
- 3/16" thick laminated exterior,
variable size.

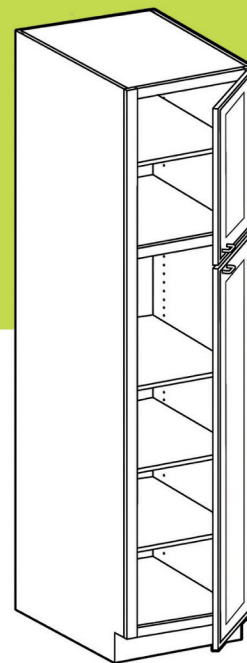
DWR3



BASE END PANEL
- 3/16" thick laminated exterior,
variable size.

RRP96

TALL



CABINET CODING

standard

PC

18

24

96

CABINET
CODE

WIDTH

DEPTH

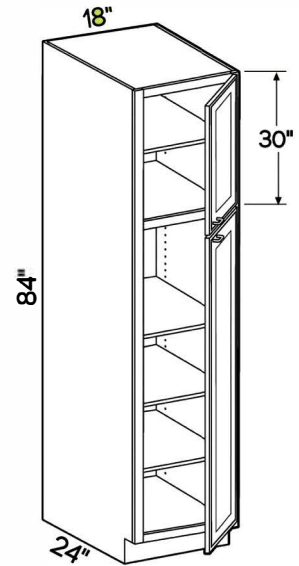
HEIGHT

NOTES

- Standard tall cabinets are 24" deep.
- Add door thickness for total cabinet depth.
- Products are available in all door styles and colors unless stated otherwise.
- Exposed sides require finished ends or matching end panels.

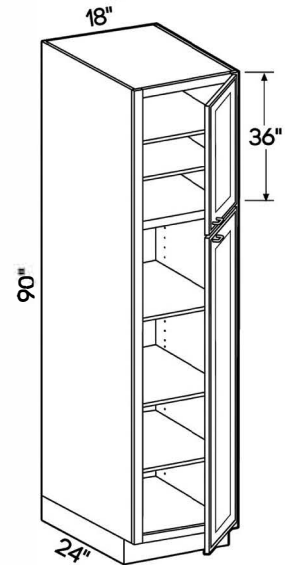
PC1884

- 18" WIDE AND 84" HIGH**
TWO DOOR UTILITY
- Two fixed shelves and four adjustable shelves



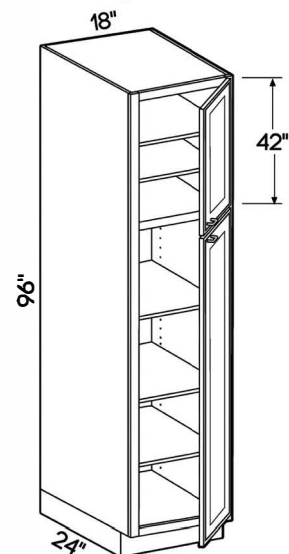
PC1890

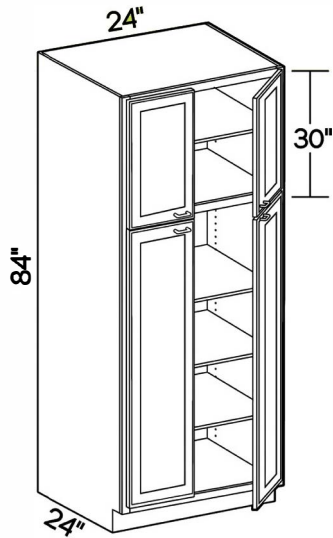
- 18" WIDE AND 90" HIGH**
TWO DOOR UTILITY
- Two fixed shelves and five adjustable shelves



PC1896

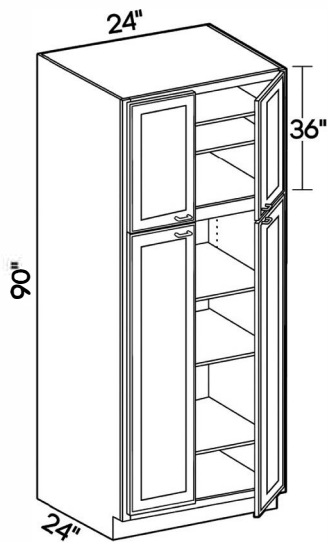
- 18" WIDE AND 96" HIGH**
TWO DOOR UTILITY
- Two fixed shelves and five adjustable shelves





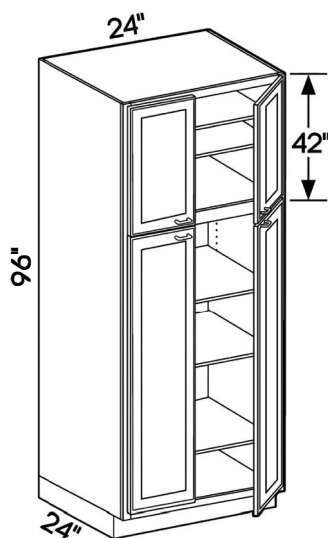
24" WIDE AND 84" HIGH
FOUR DOOR UTILITY
- Two fixed shelves and four adjustable shelves

PC2484
PC3084
PC3684



24" WIDE AND 90" HIGH
FOUR DOOR UTILITY
- Two fixed shelves and five adjustable shelves

PC2490
PC3090
PC3690

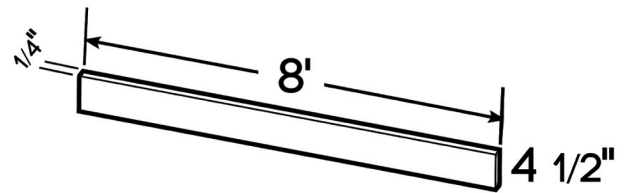


24" WIDE AND 96" HIGH
FOUR DOOR UTILITY
- Two fixed shelves and five adjustable shelves

PC2496
PC3096
PC3696

TK8

MATCHING TOE KICK
- 1/4" thick wood veneer

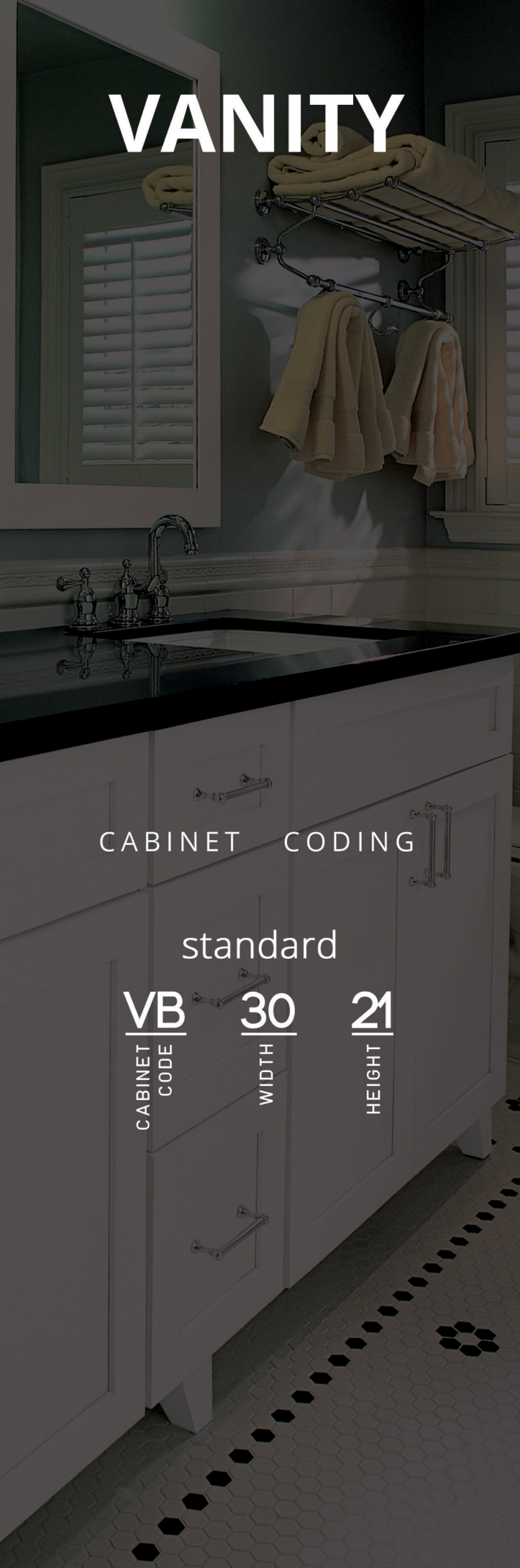


23.27" X34.5"
11.26" X42"

12" WIDE WALL SKIN
- 3/16" thick laminated
matching exterior

BSV 42
WSV 42

VANITY



CABINET CODING

standard

VB

CABINET
CODE

30

WIDTH

21

HEIGHT



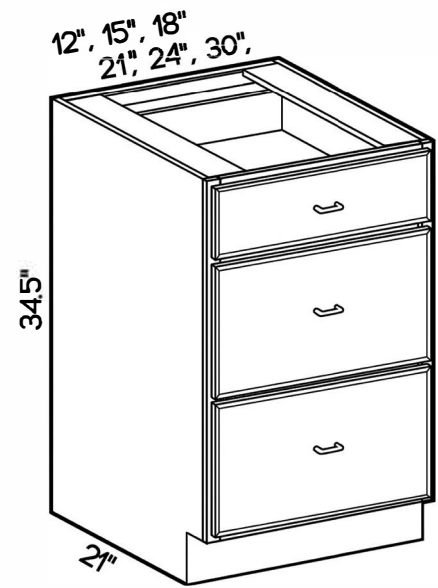
NOTES

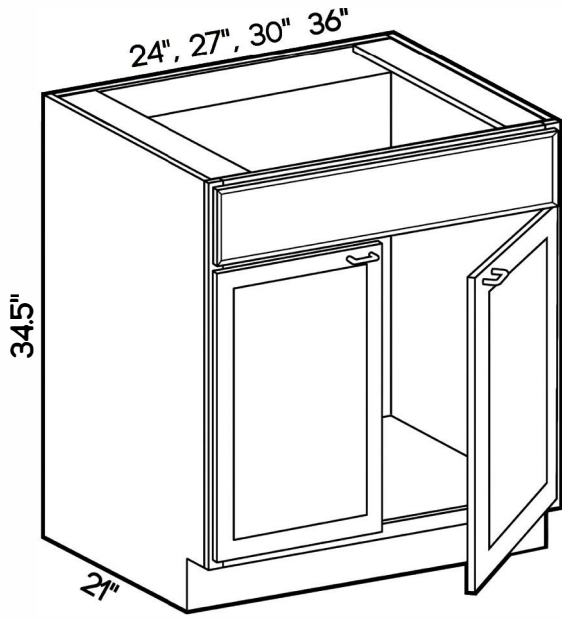
- Standard vanity cabinets are 21" deep and 34.5" high
- Add door thickness for total cabinet depth.
- Products are available in all door styles and colors unless stated otherwise.
- Exposed sides require finished ends or matching end panels.

VDB12-3
VDB15-3
VDB18-3
VDB21-3
VDB24-3

21" DEEP BASE DRAWER

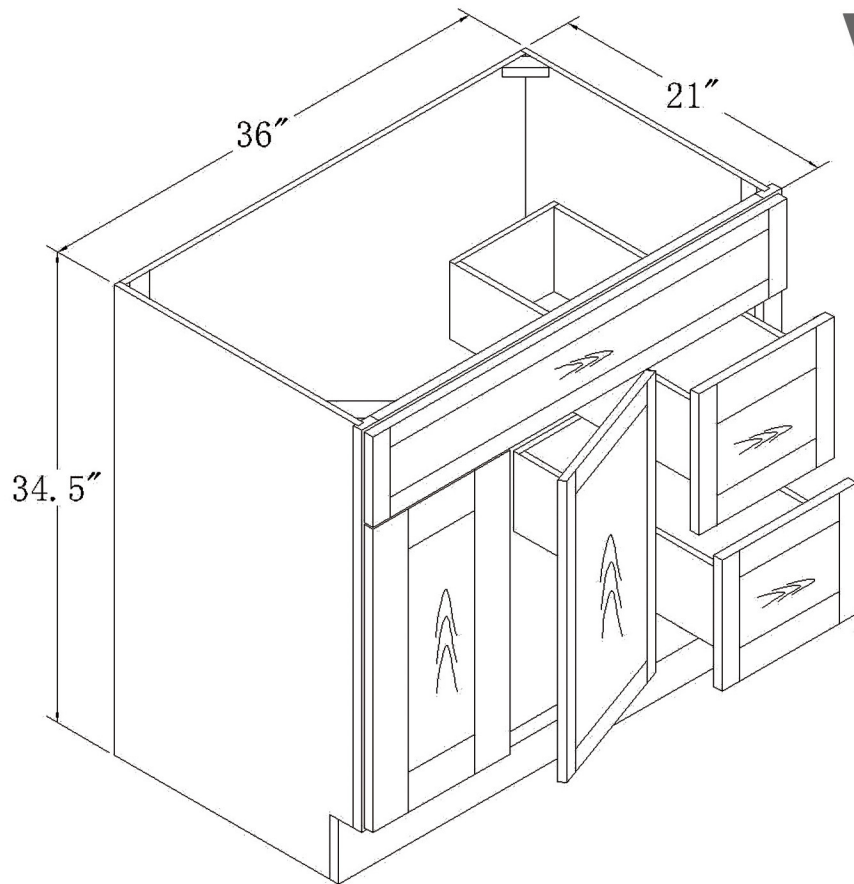
- One standard drawer
- Two deep drawers



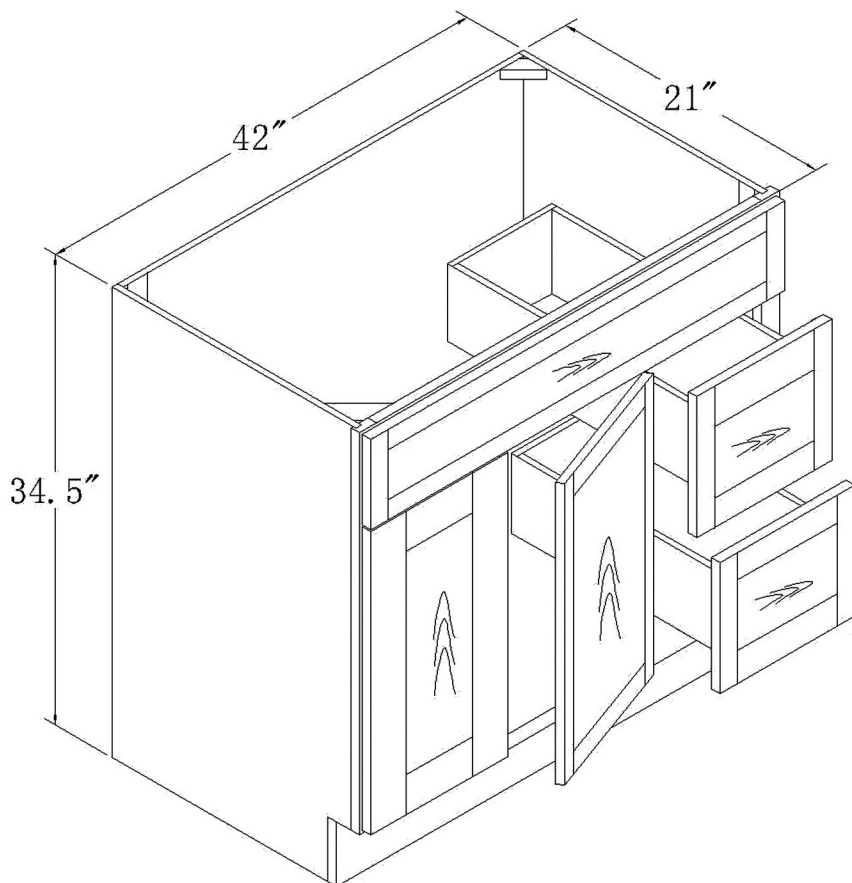


21" DEEP SINK BASE
- One false drawer front

- V2421
- V2721
- V3021
- V3321
- V3621

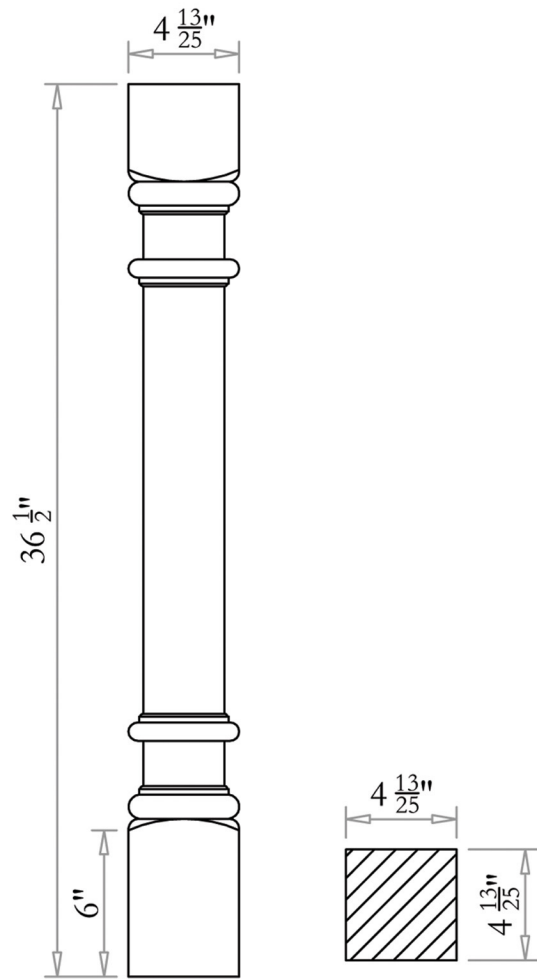


VSD3621-R

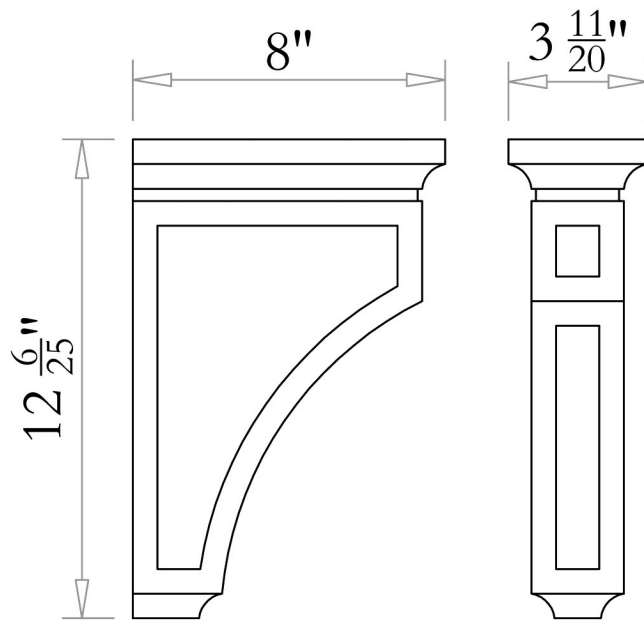


VSD4221-R

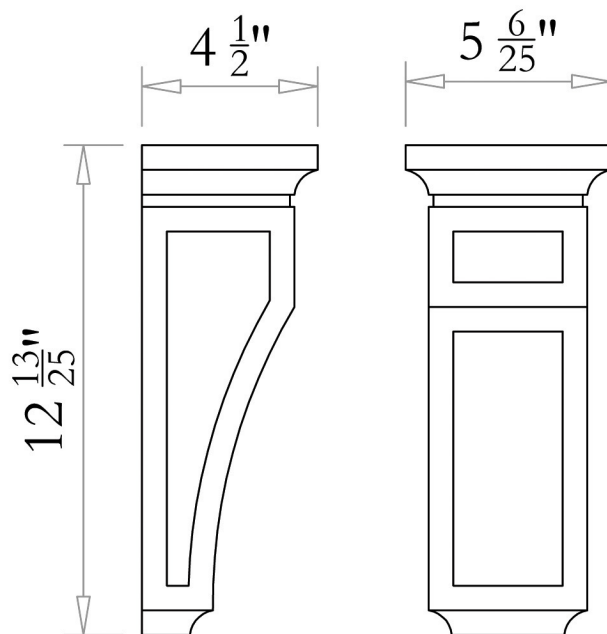
SPL

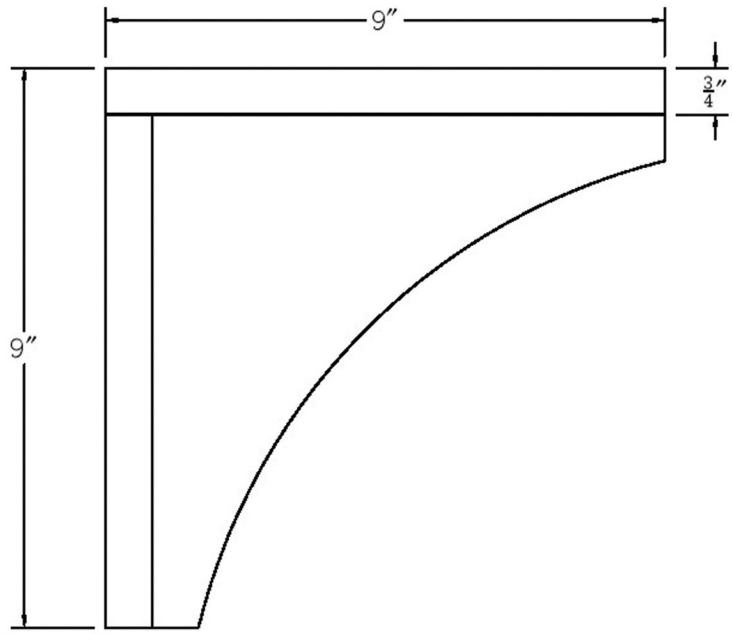


CBL21

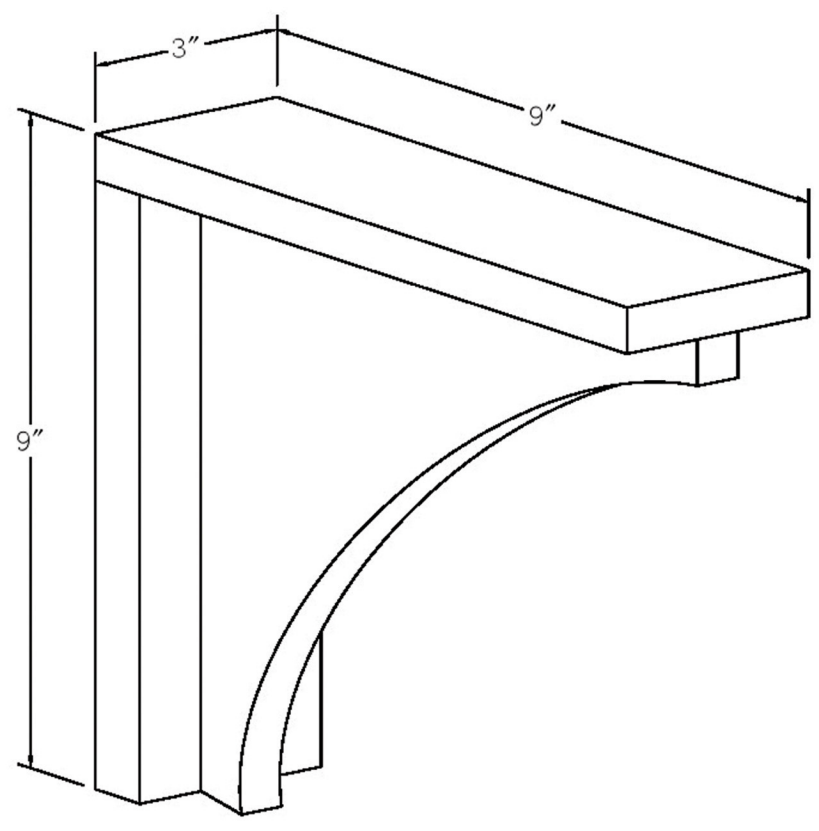


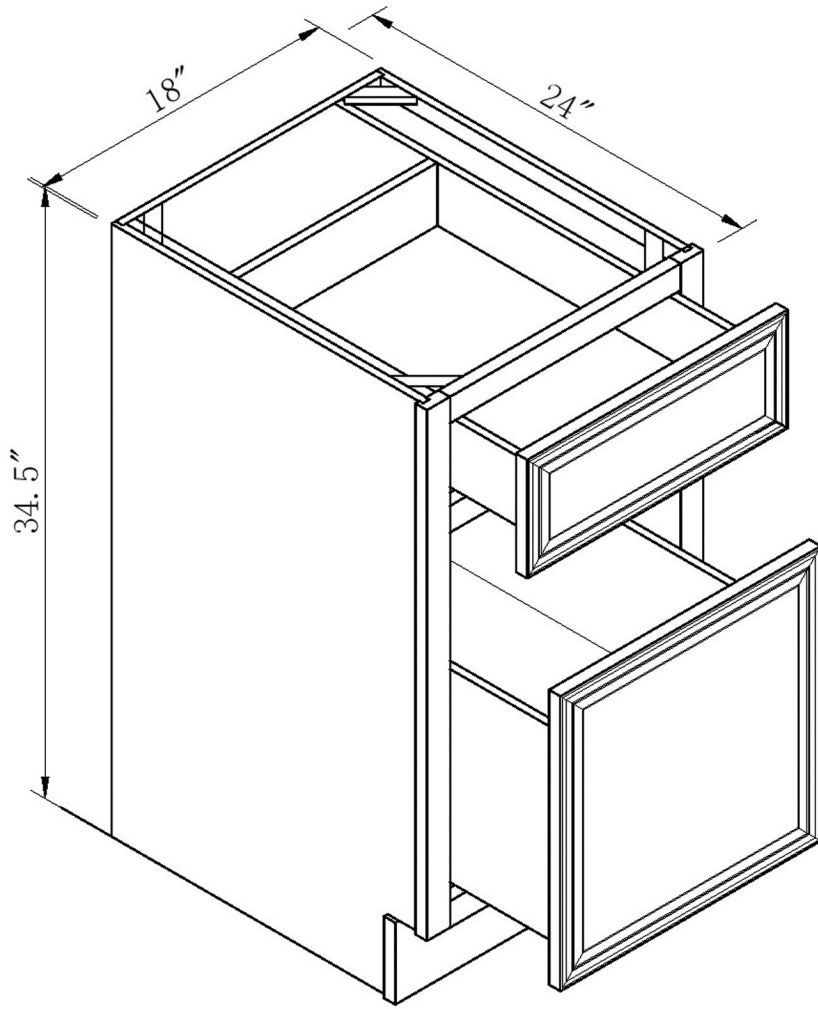
CBL11



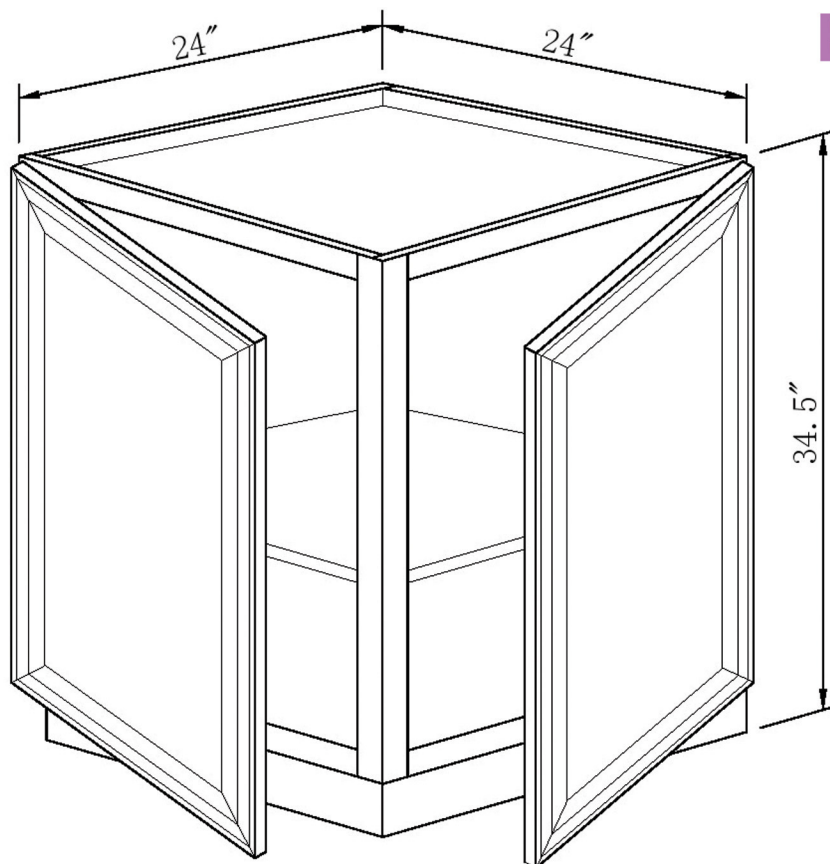


CB9*9

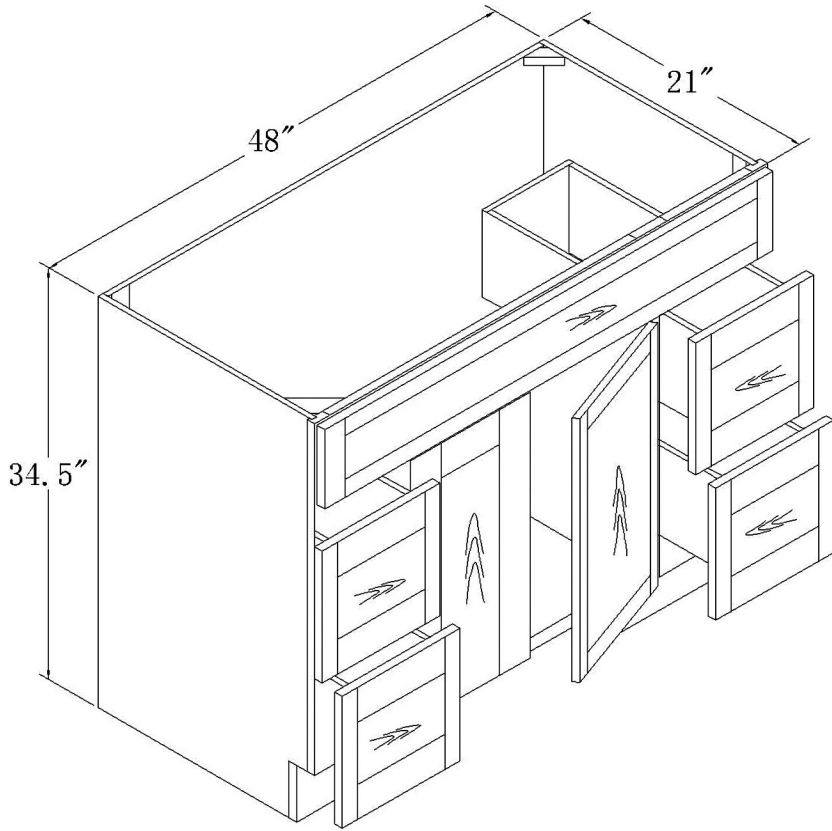




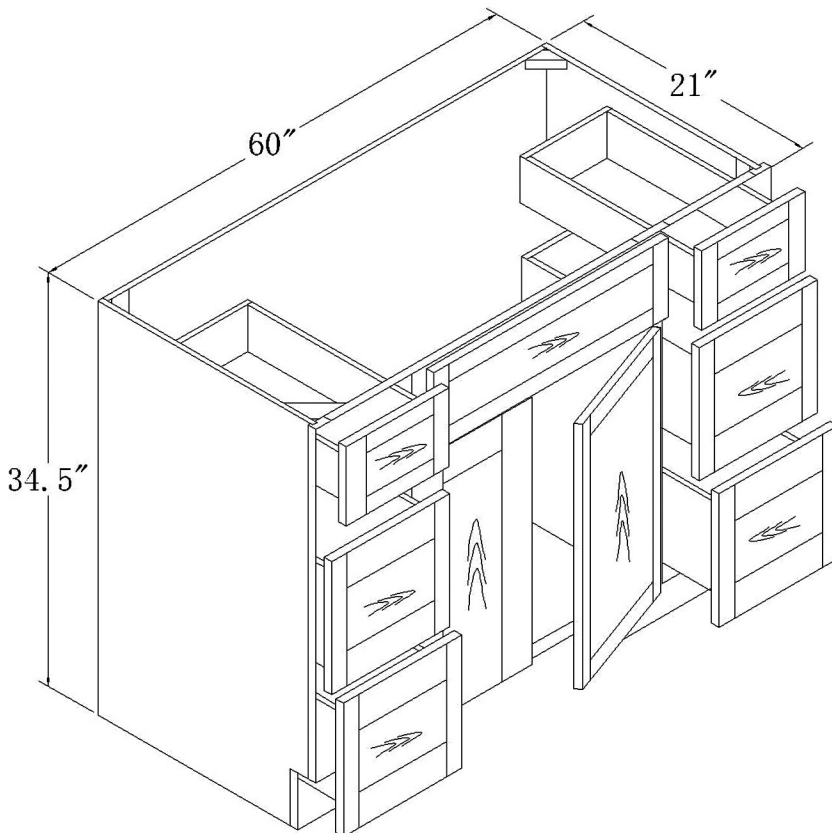
FD18



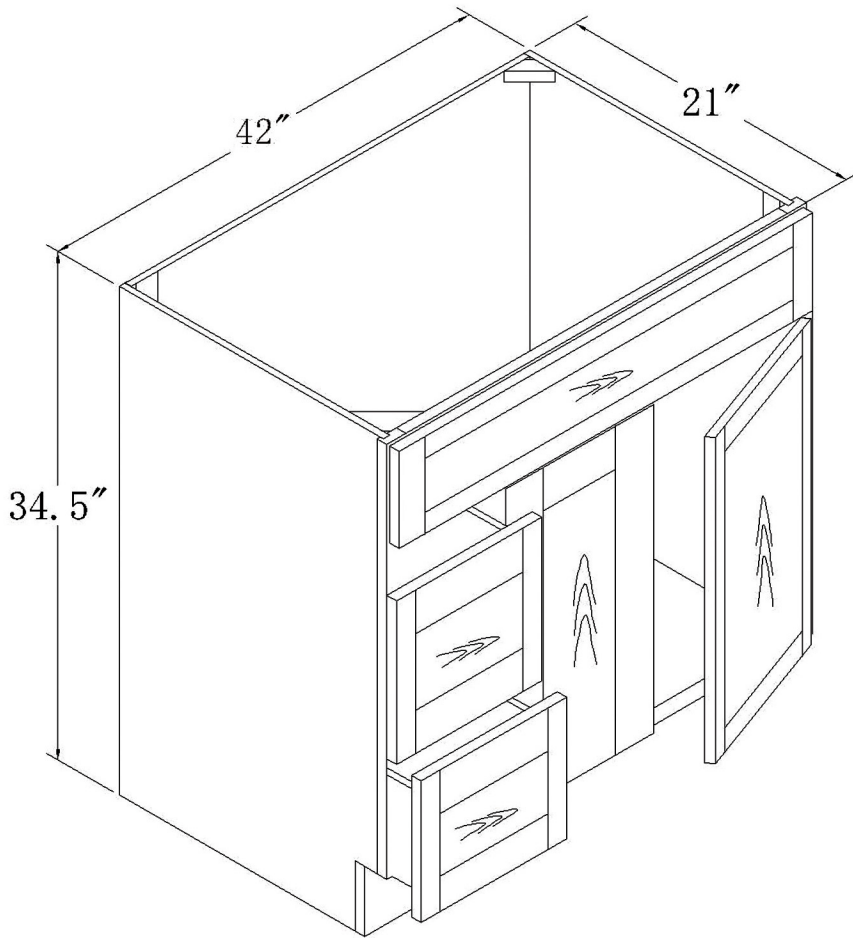
BRA24



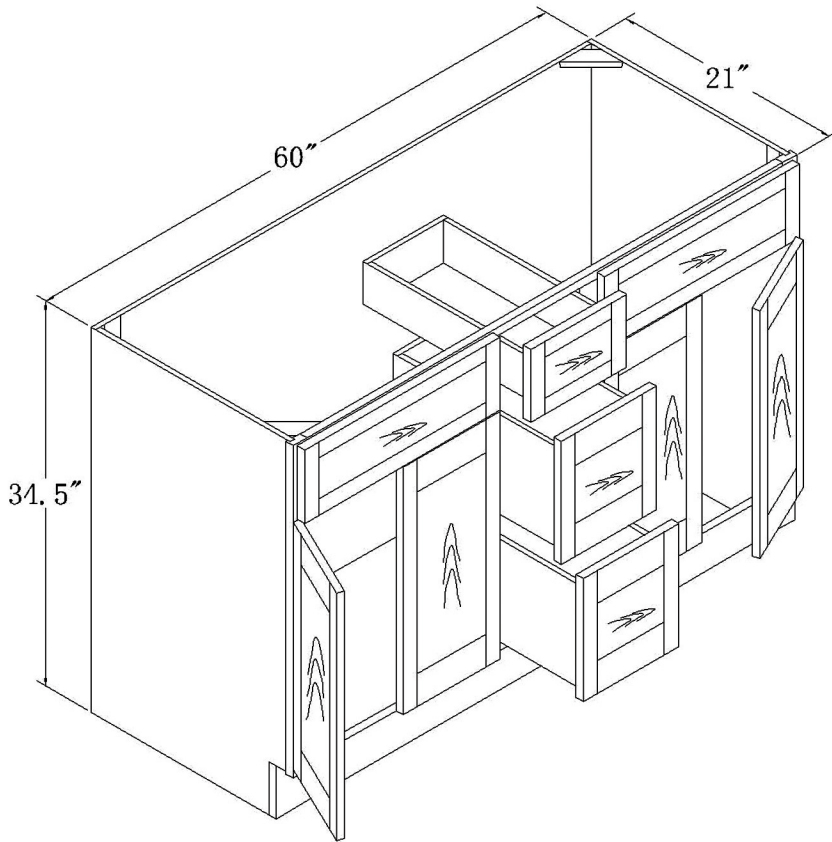
VSD4821D



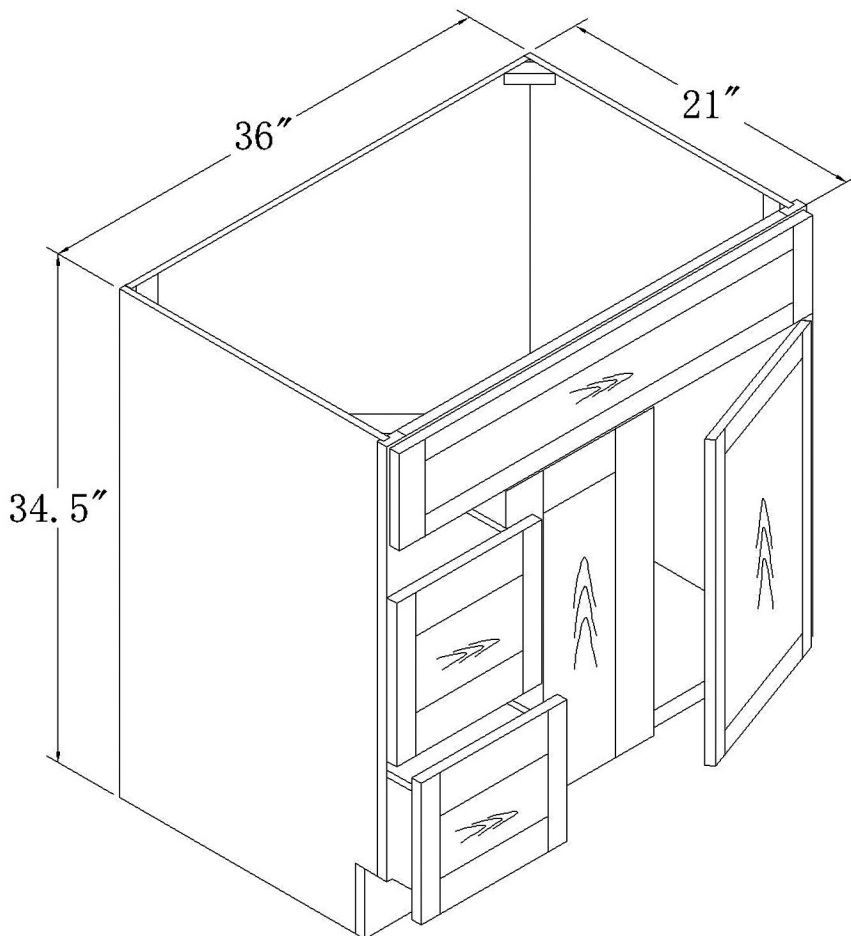
VSD6021D



VSD4221-L



VSD6021DD



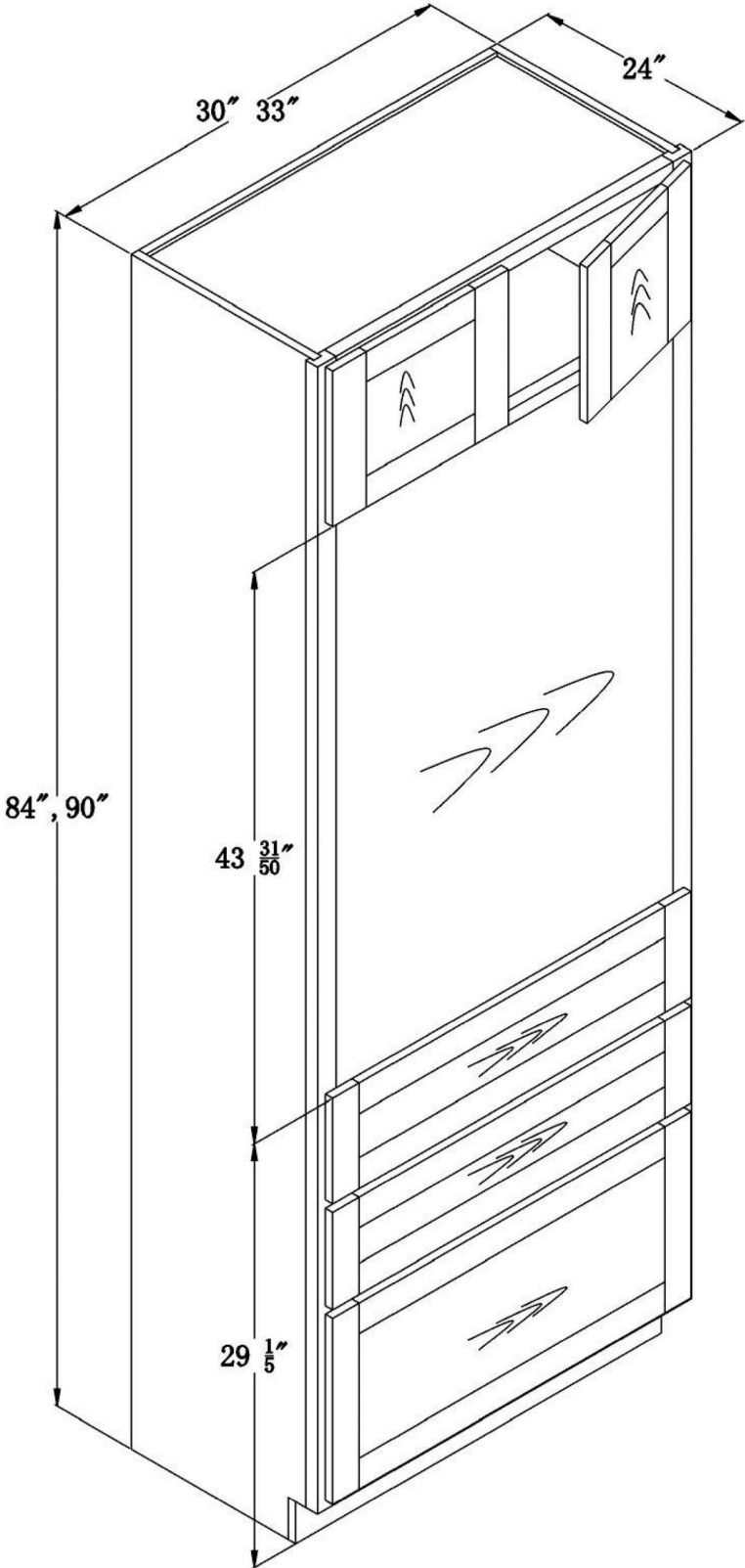
VSD3621-L

OC3084

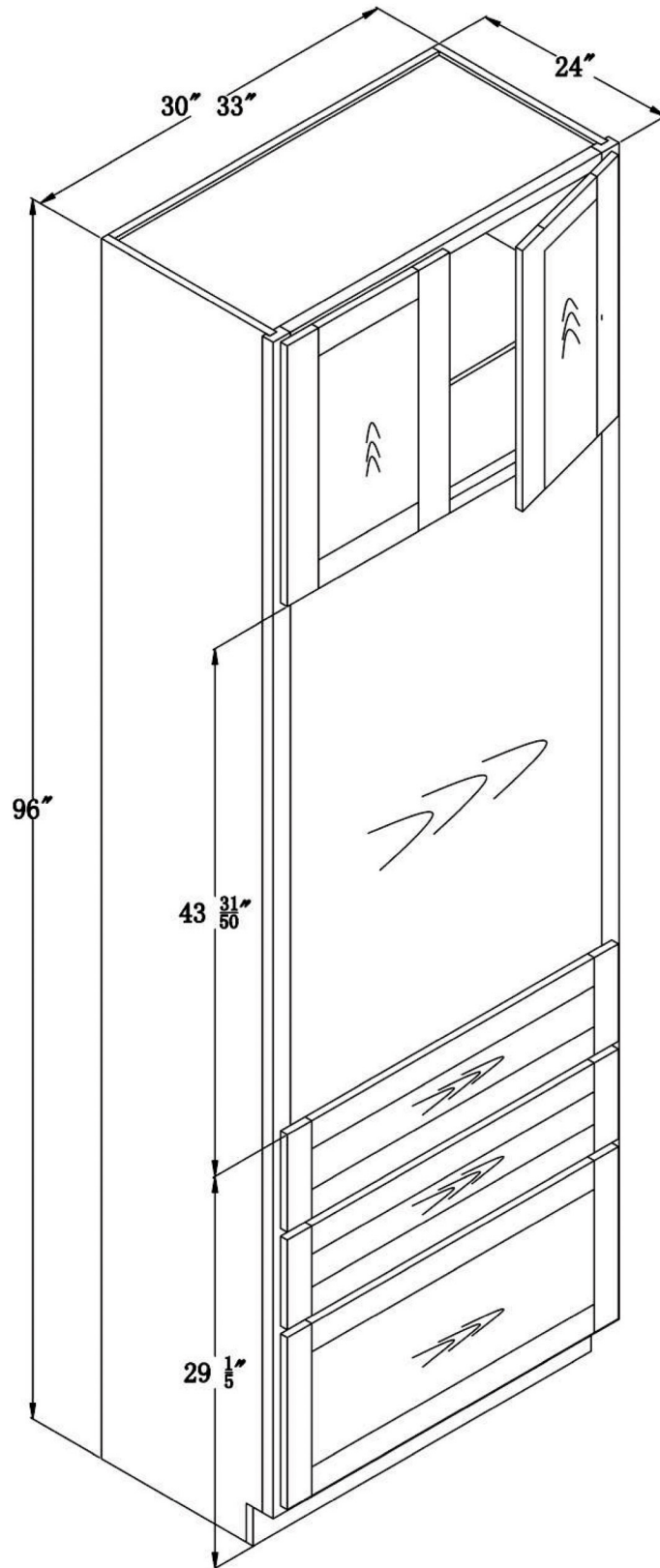
OC3384

OC3090

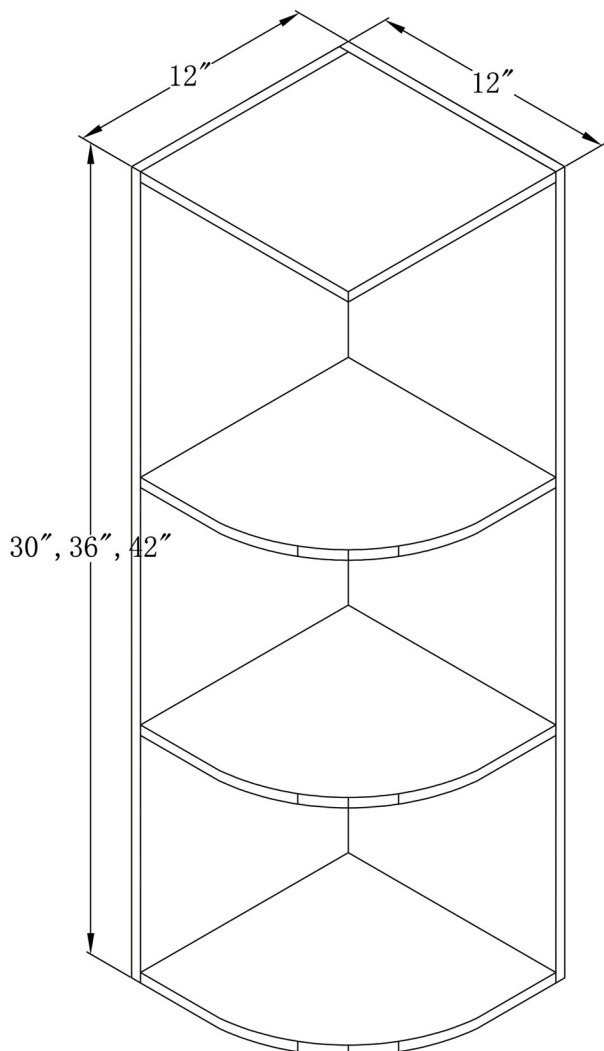
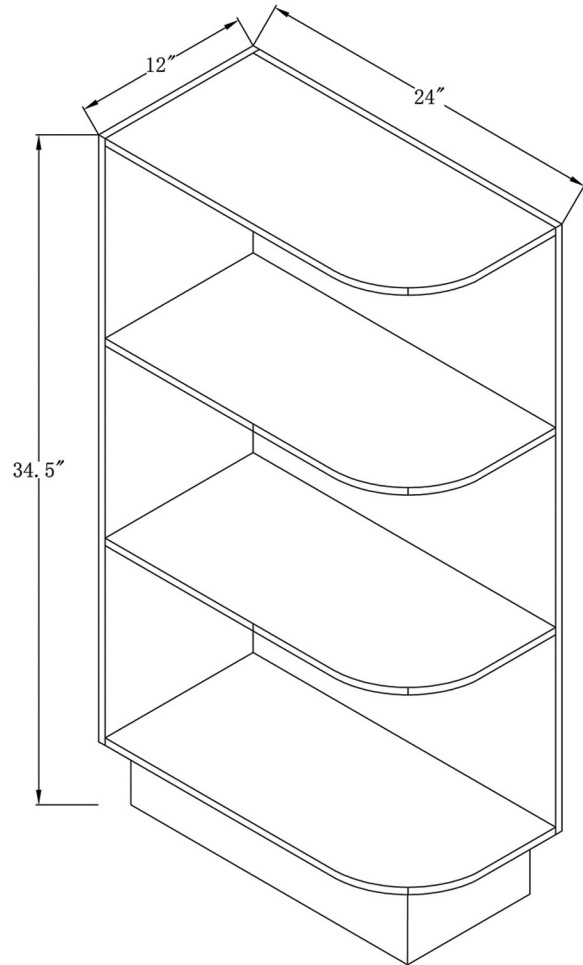
OC3390



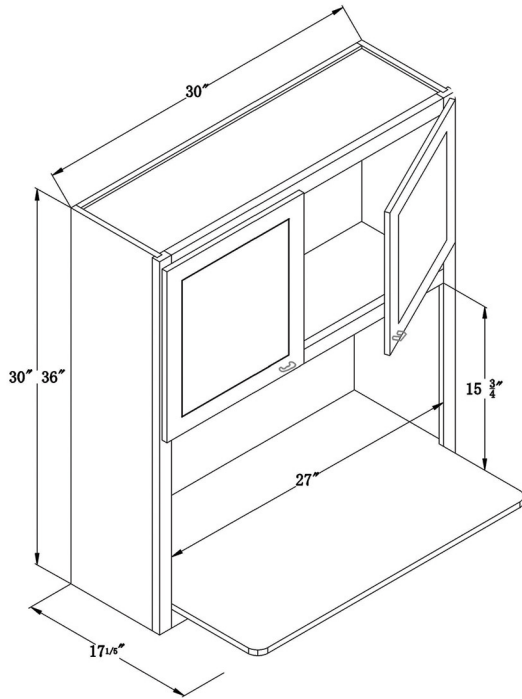
OC3096
OC3396



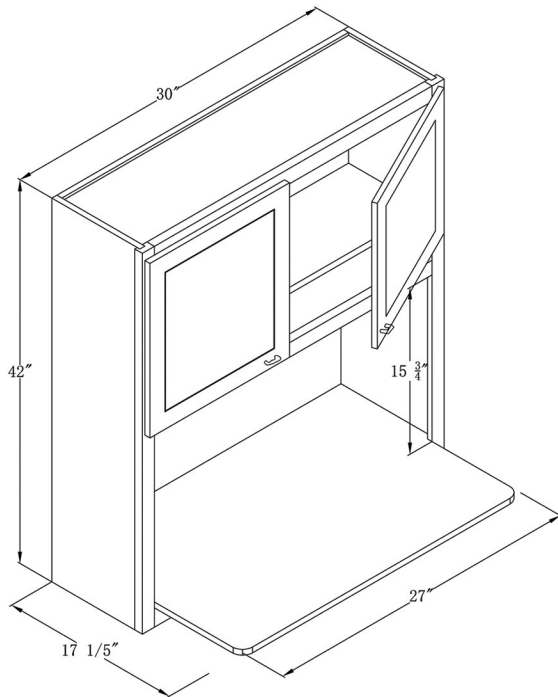
BES12



WES1230K
WES1236K
WES1242K

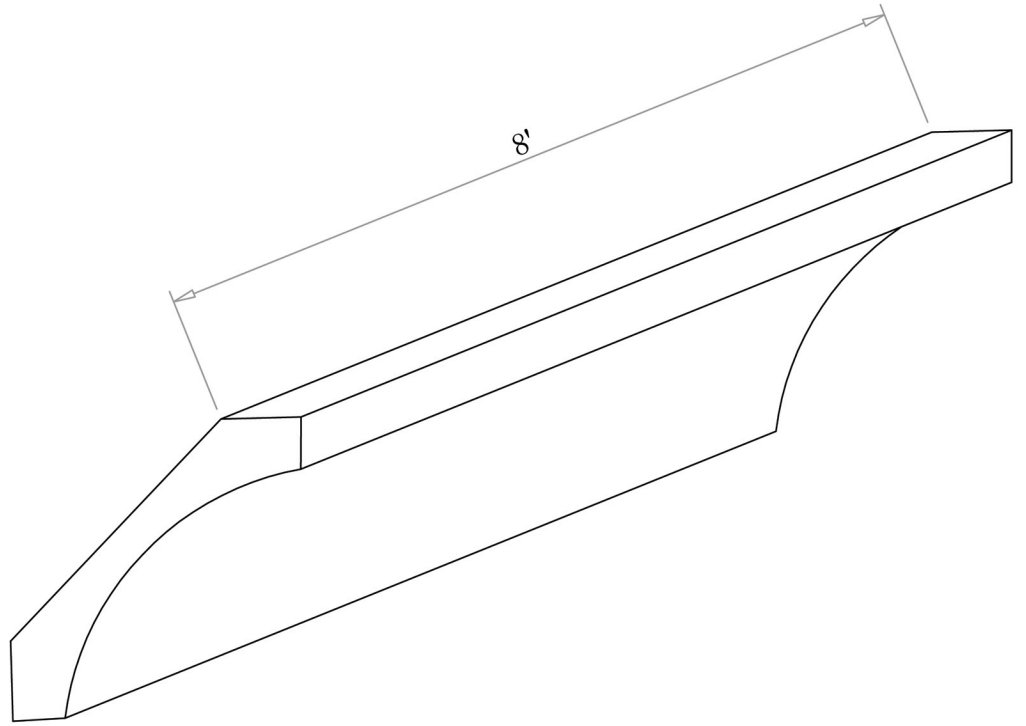
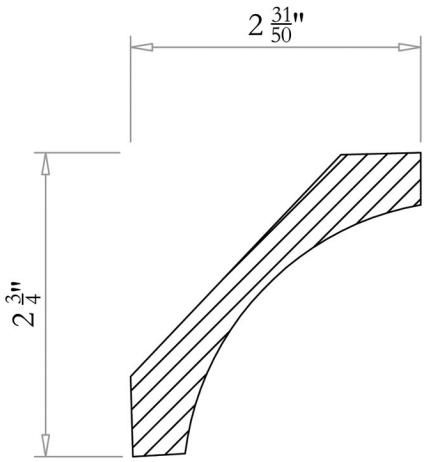


WMC303012
WMC303612

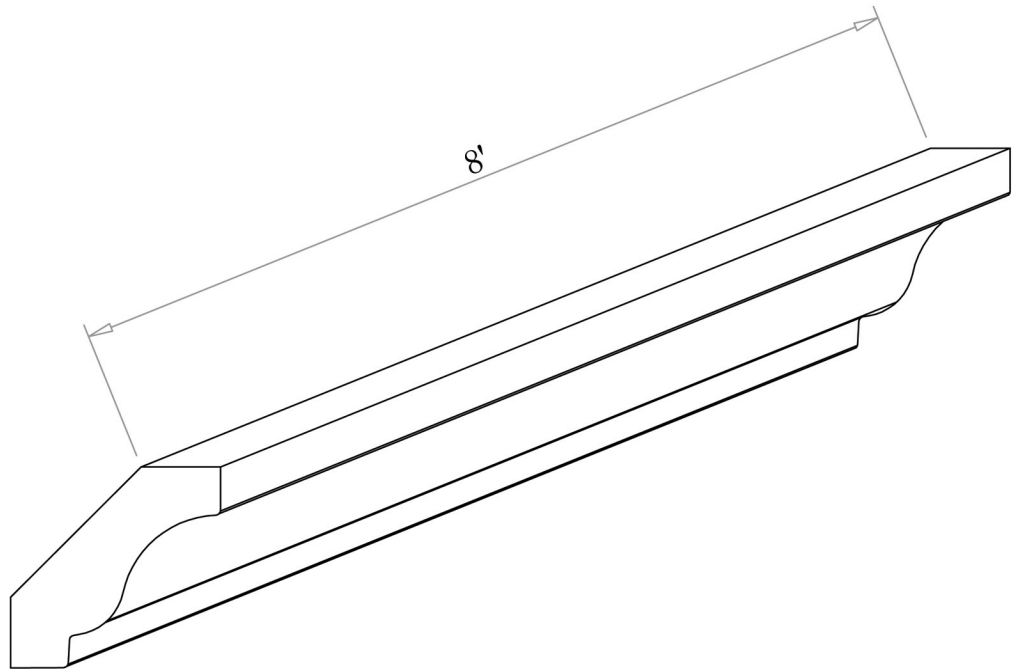
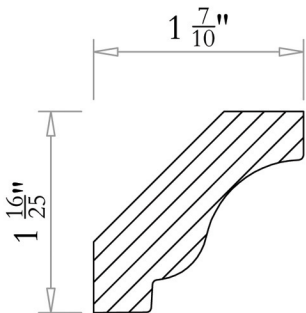


WMC304212

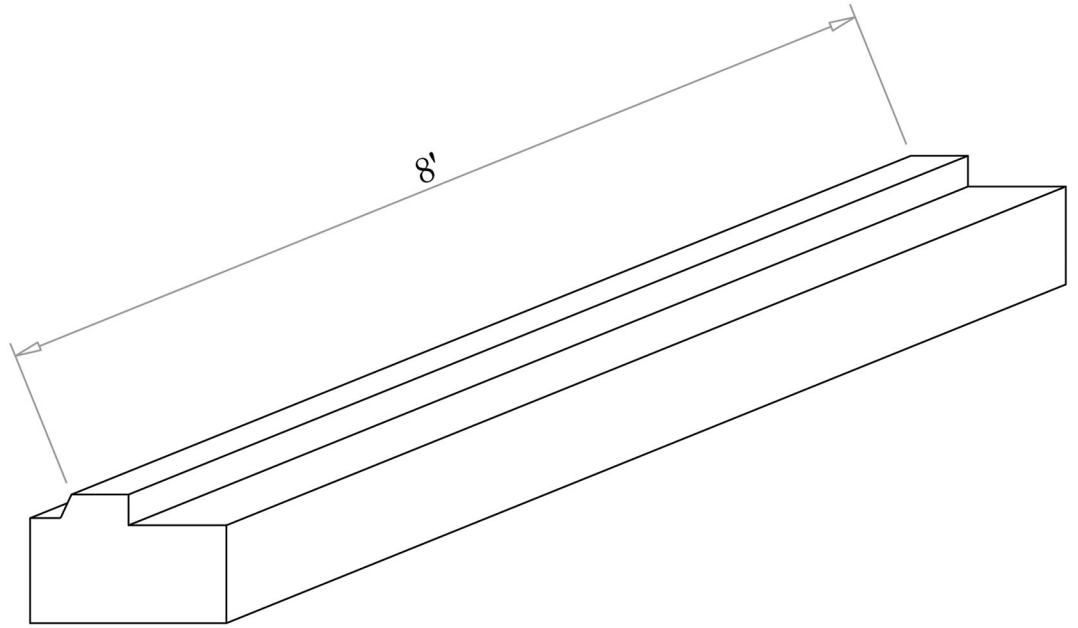
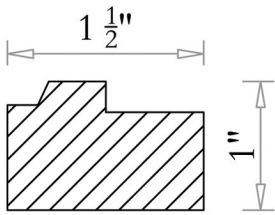
CM4



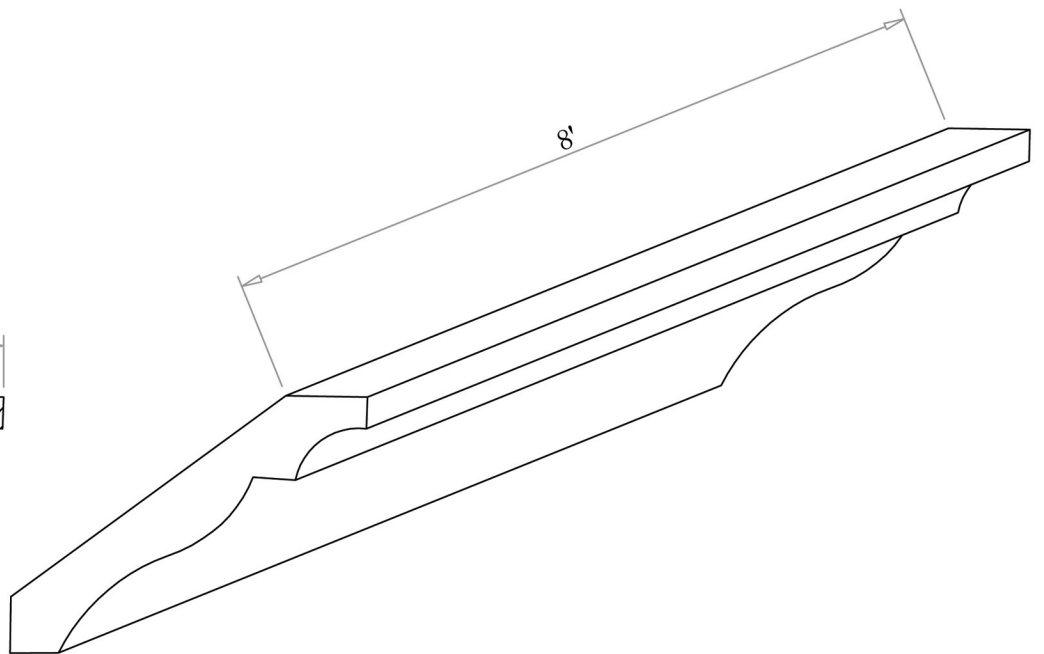
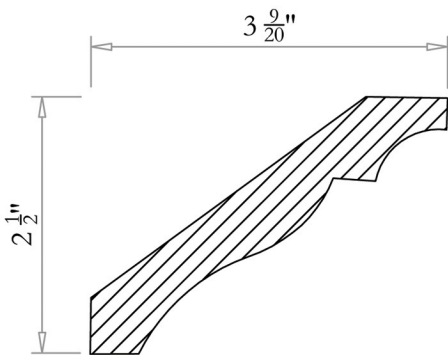
CM1 $\frac{5}{8}$ "



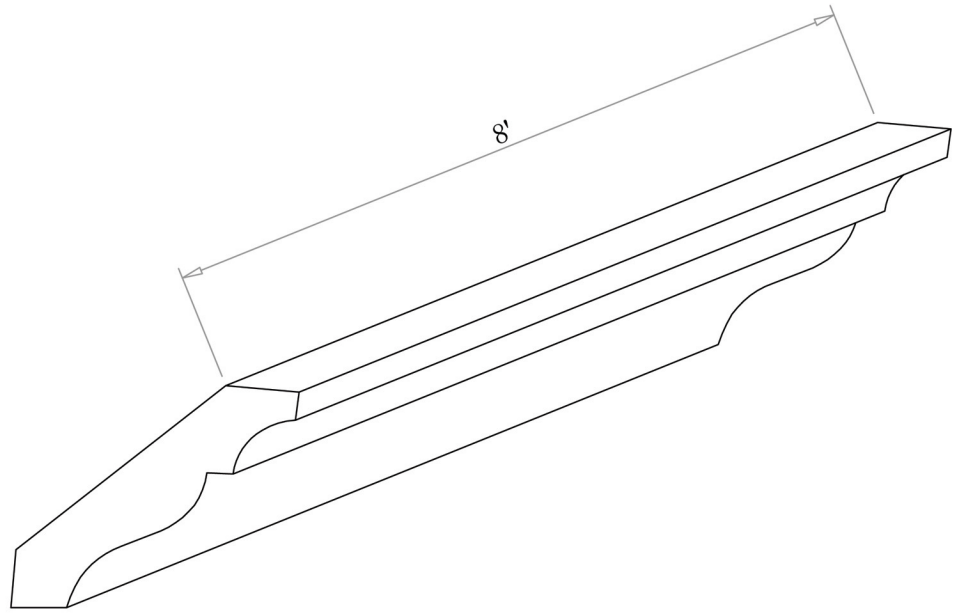
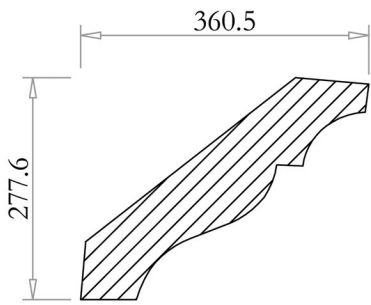
LRM8



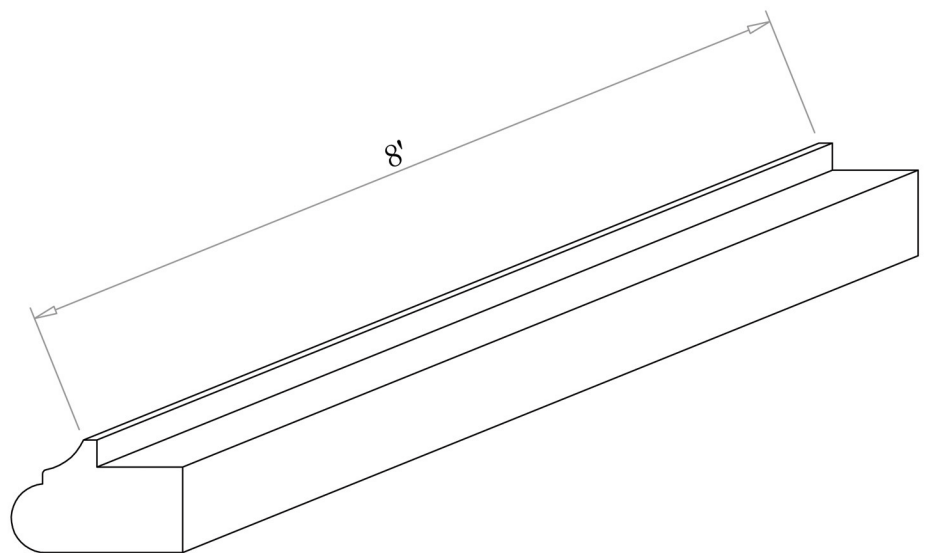
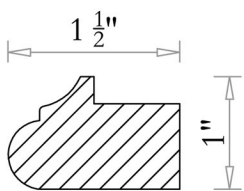
CM4R



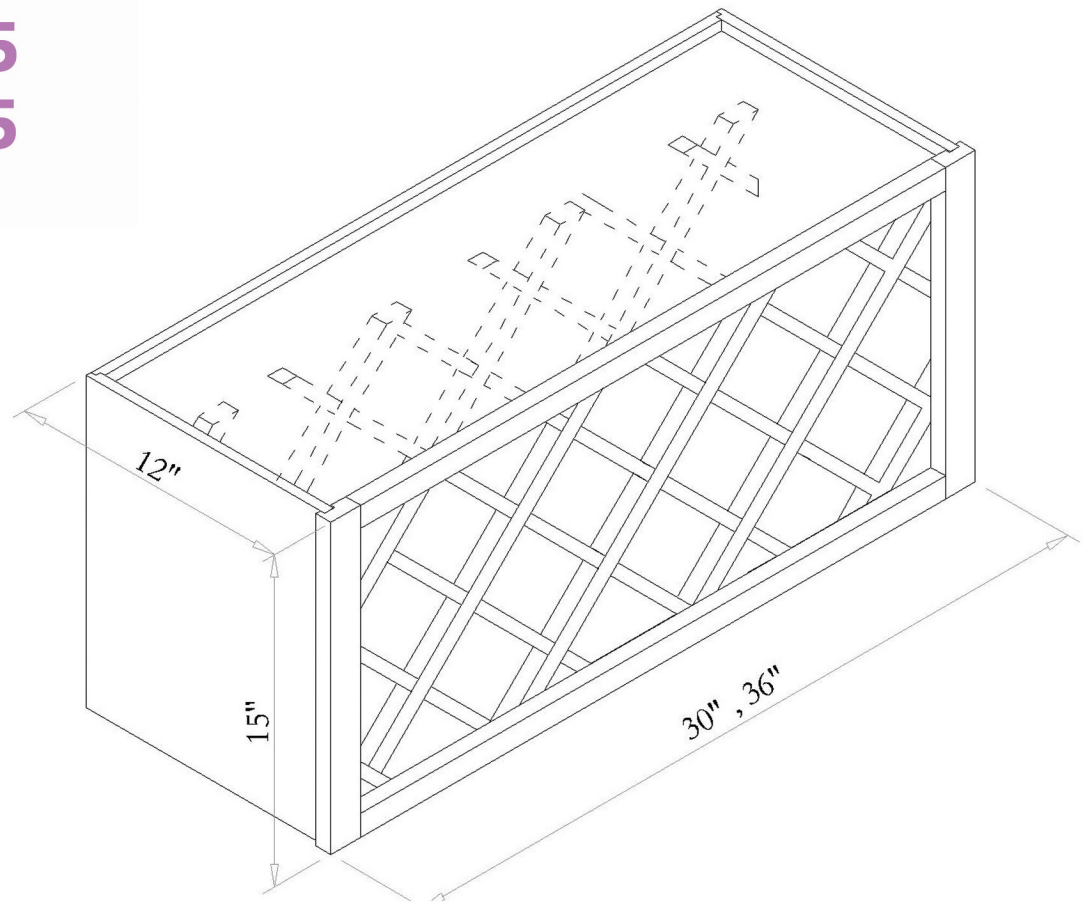
CM2 $\frac{1}{2}$



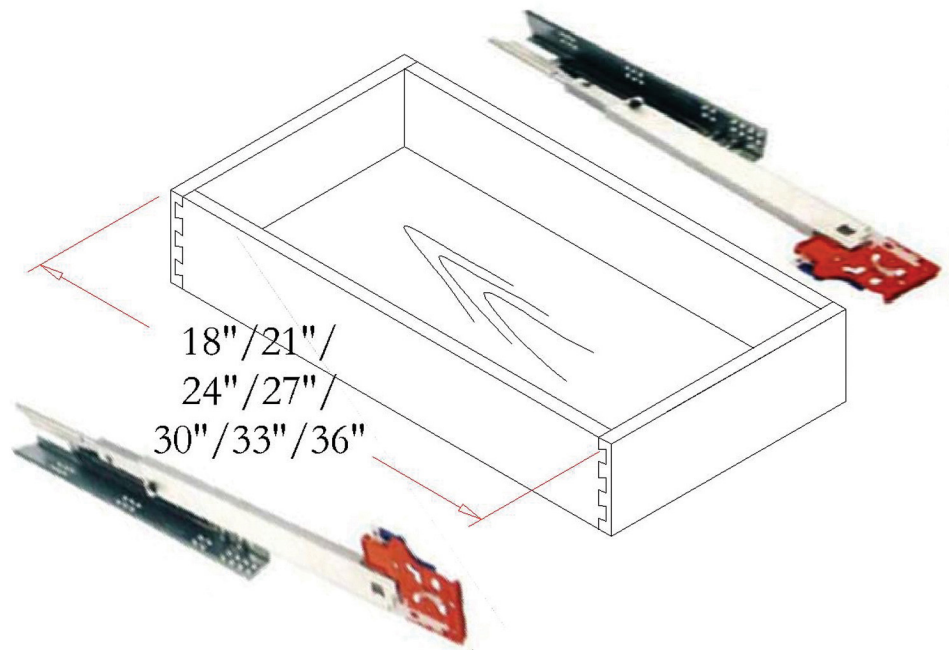
LRM8S

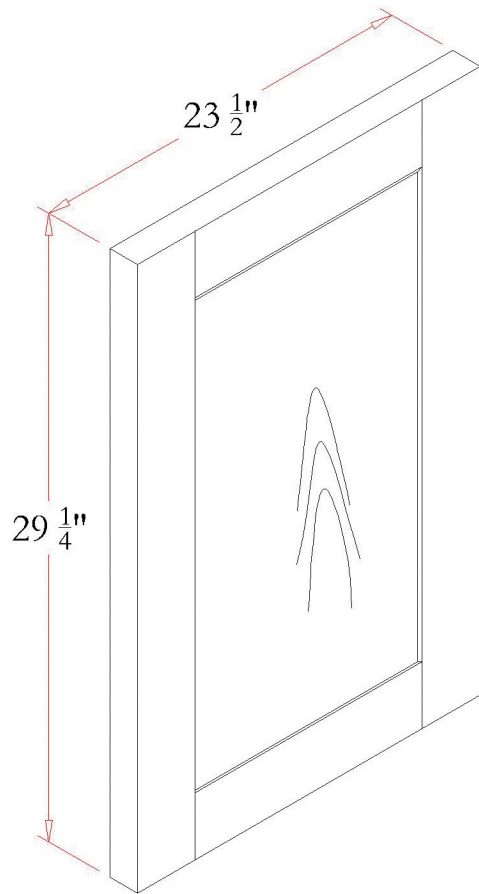


WR3015
WR3615

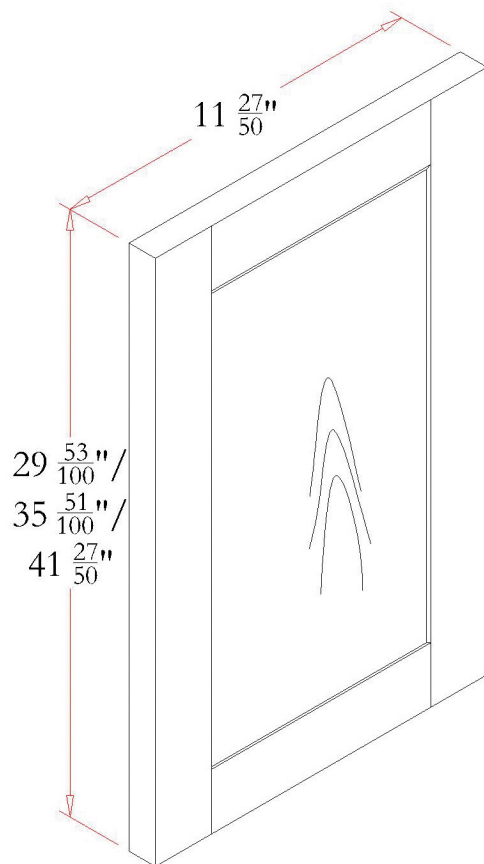


ROT18
ROT12
ROT24
ROT27
ROT30
ROT33
ROT36

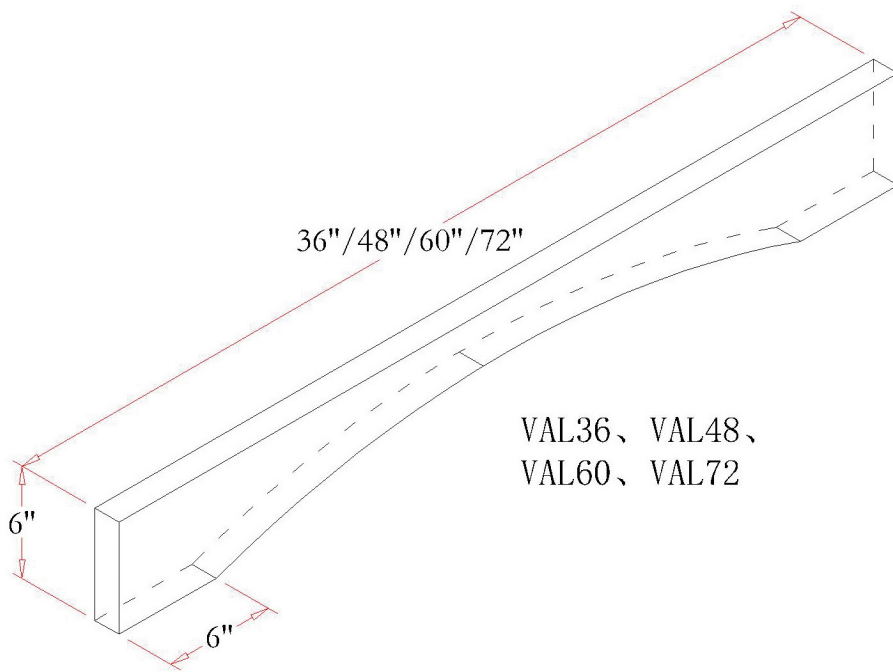




MWEP2430



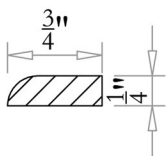
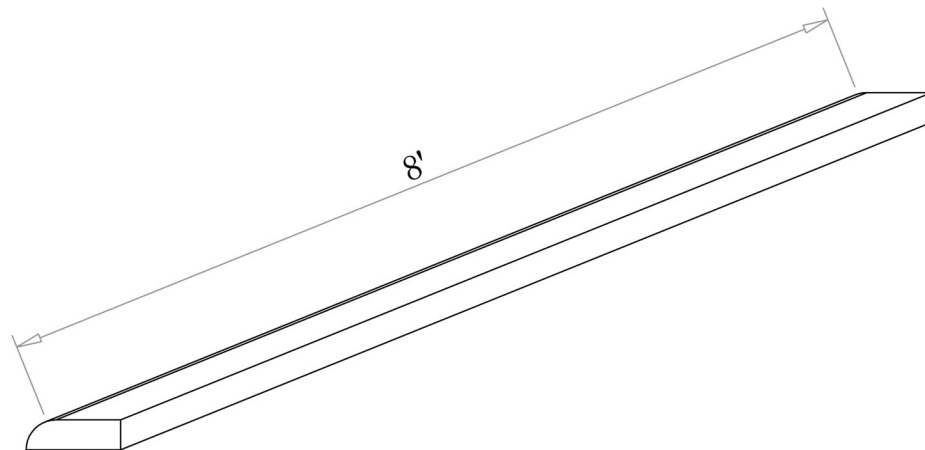
MWEP1230
MWEP1236
MWEP1240



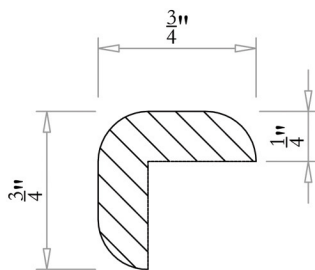
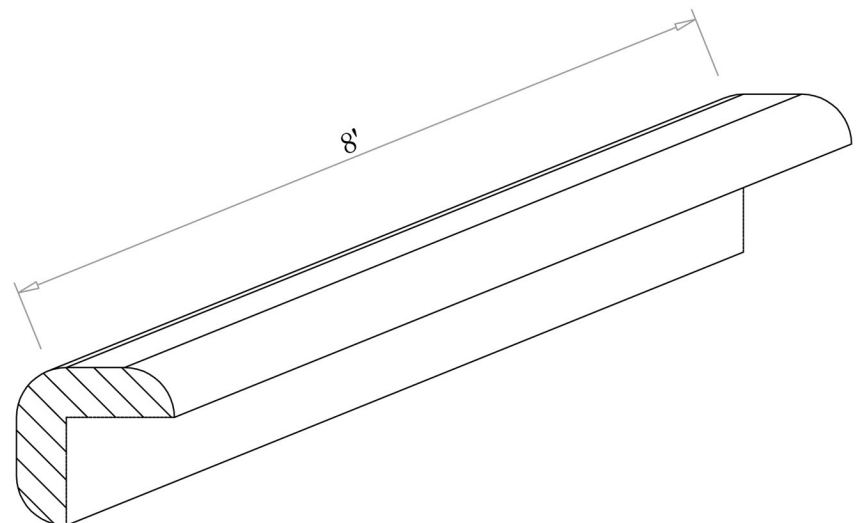
VAL36
VAL48
VAL60
VAL72

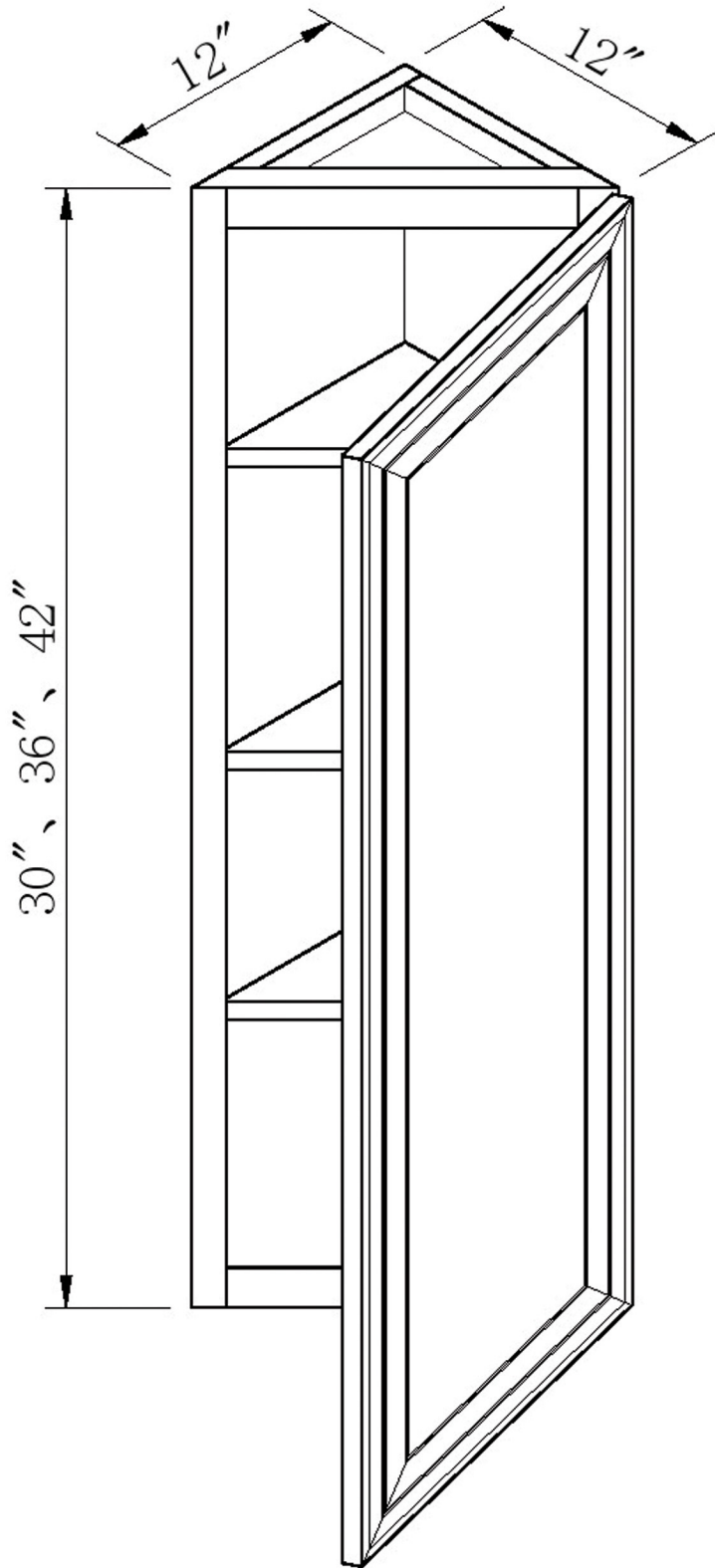
VAL36、VAL48、
 VAL60、VAL72

SM8



OCM8



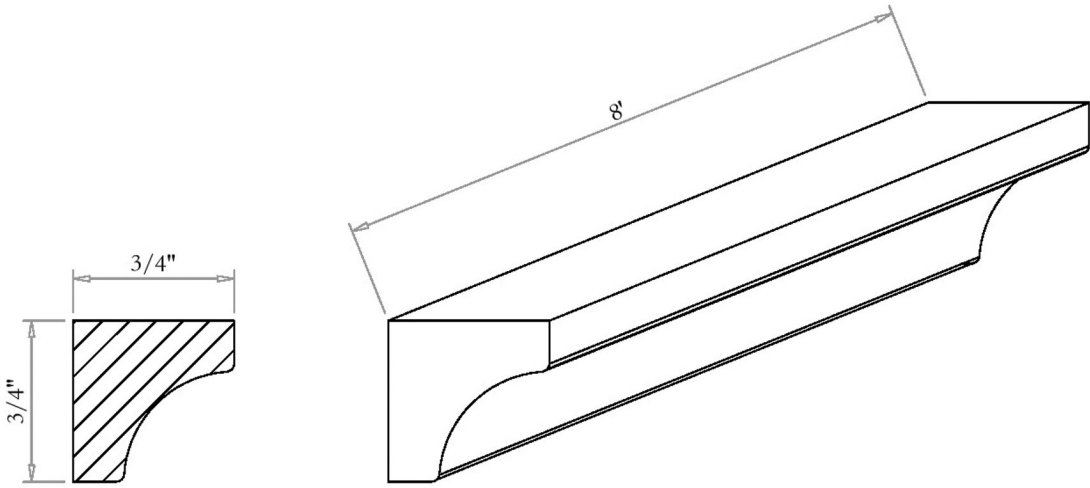


AW1230

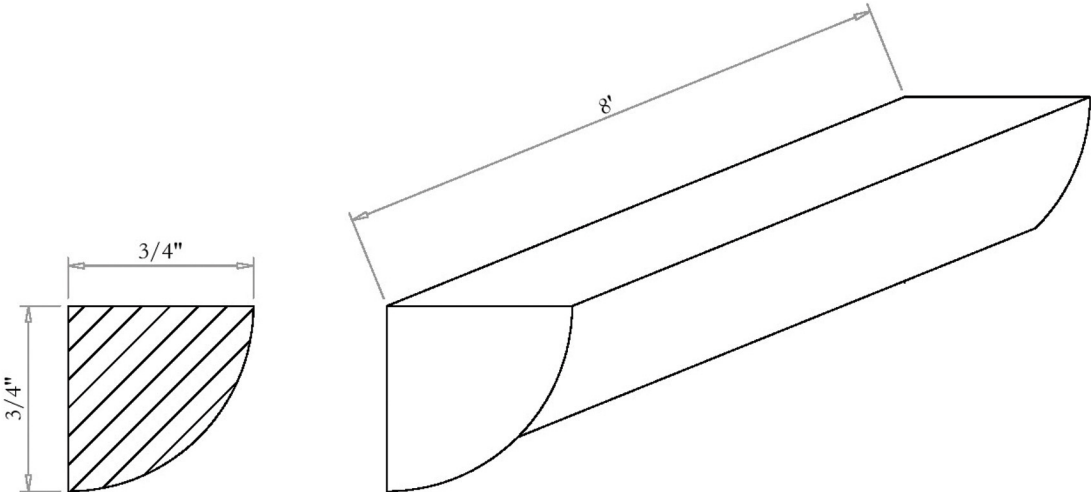
AW1236

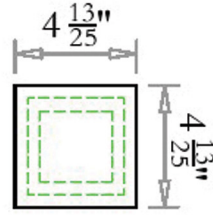
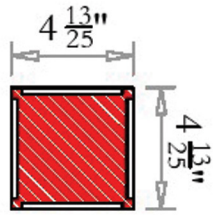
AW1242

ICM8



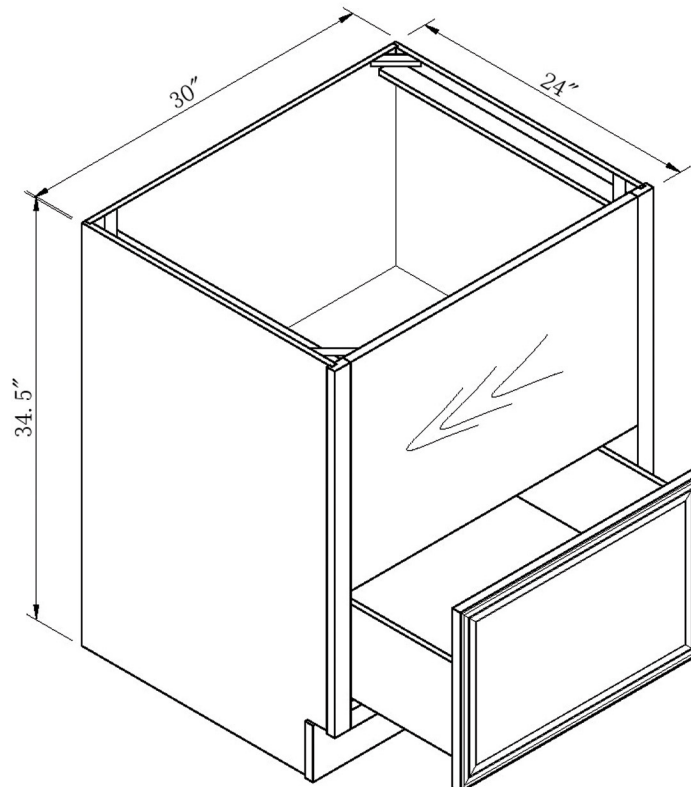
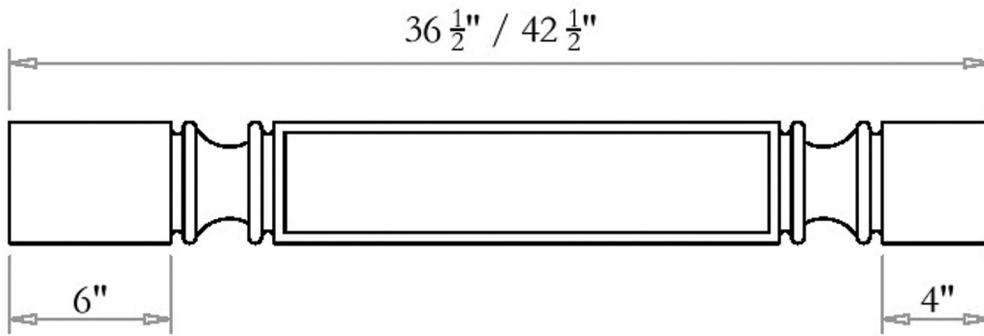
QRM



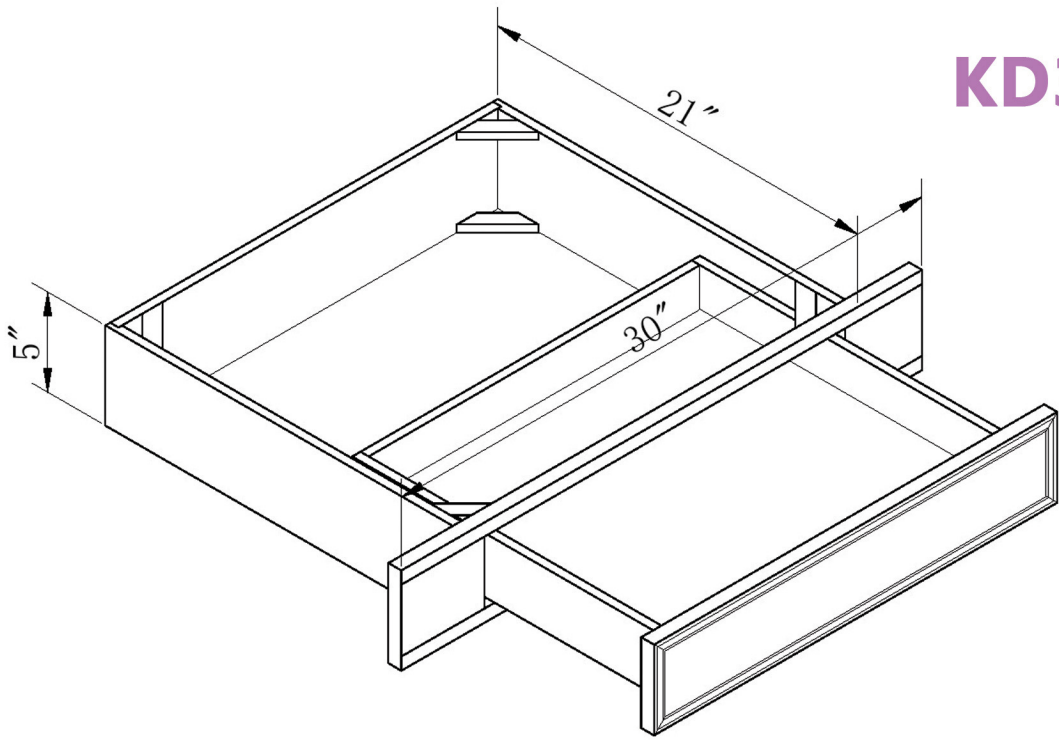


SPL36

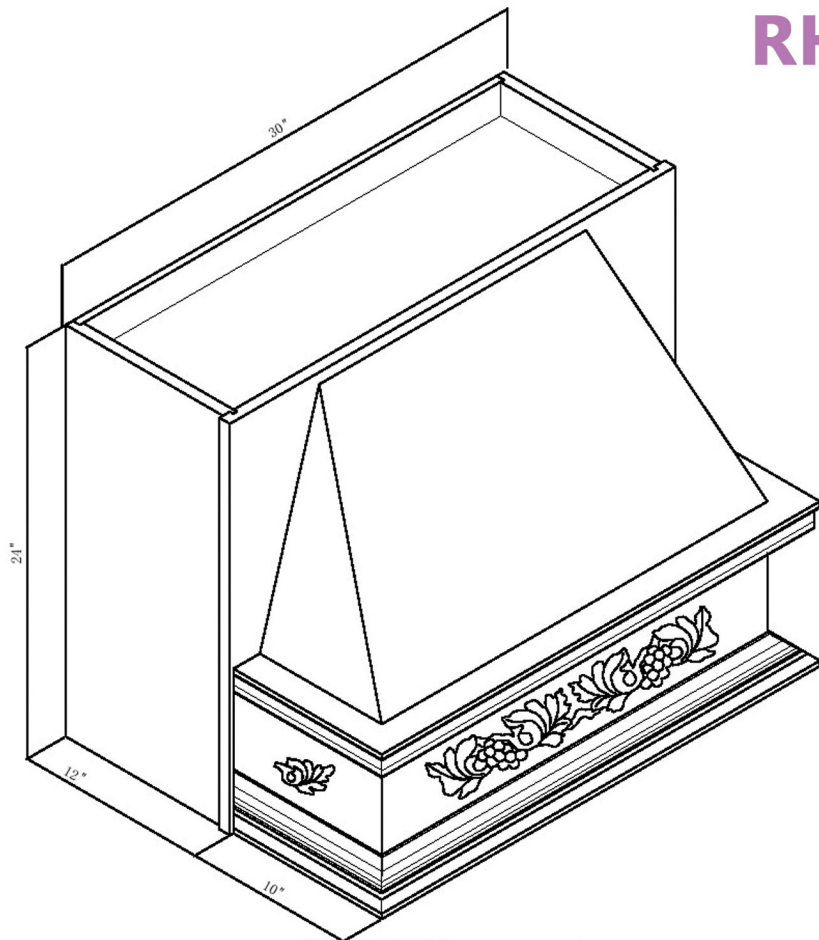
SPL42



MB30

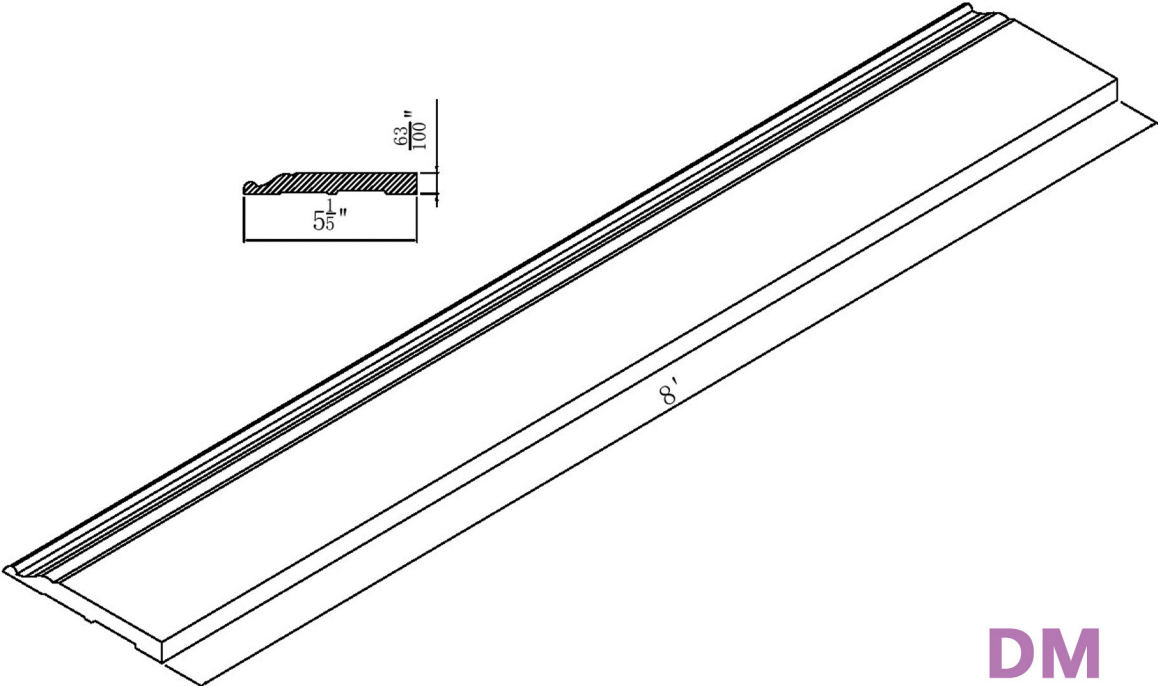


KD30

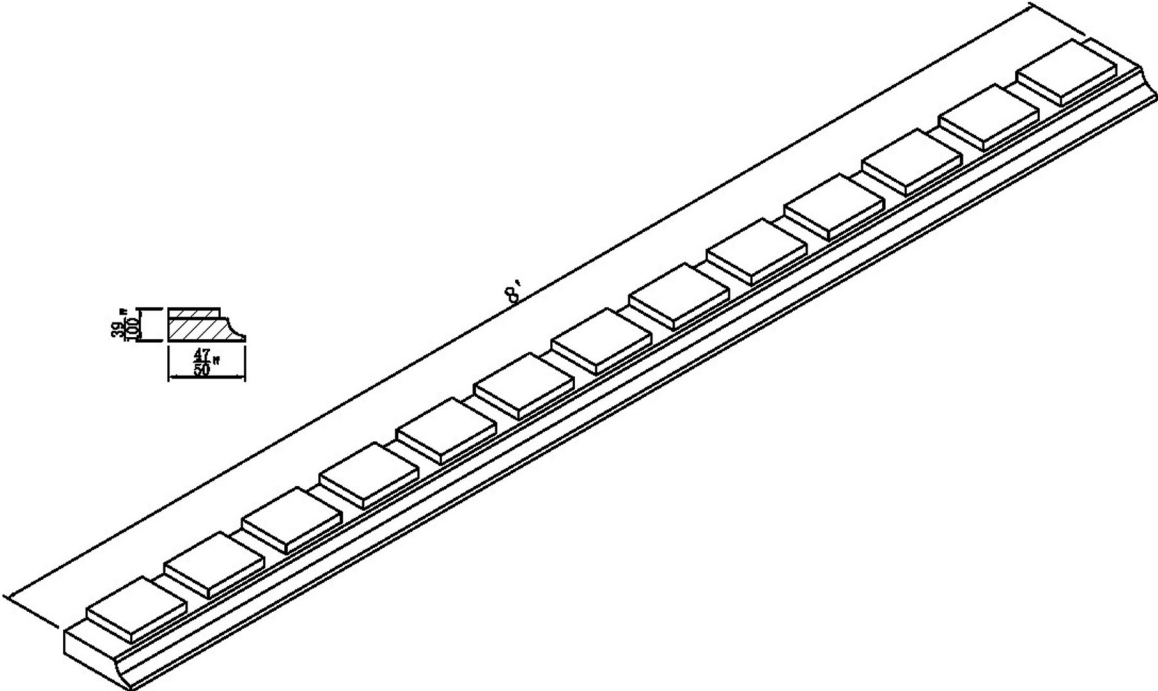


RHE3024

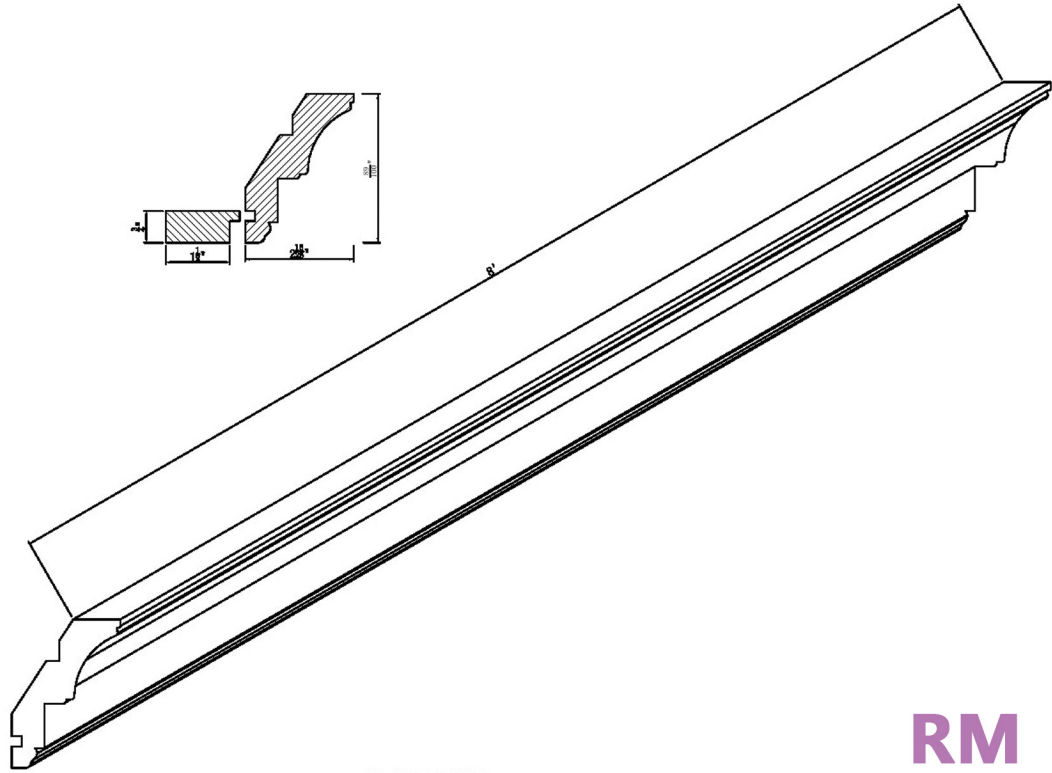
FBM8



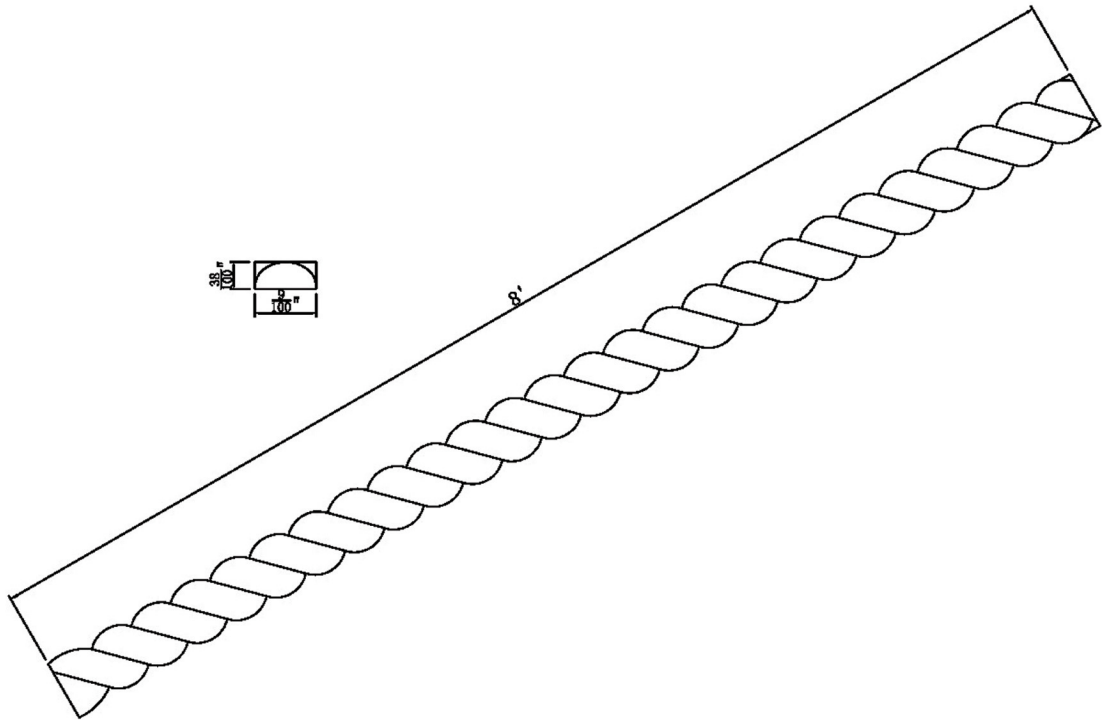
DM

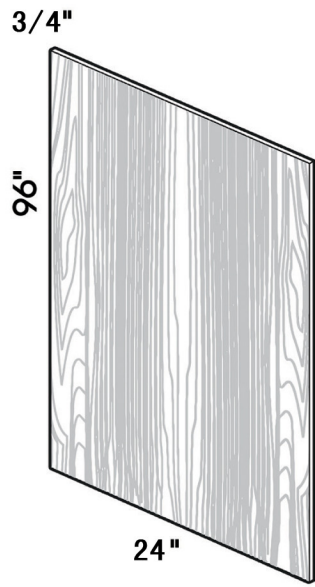


TCM

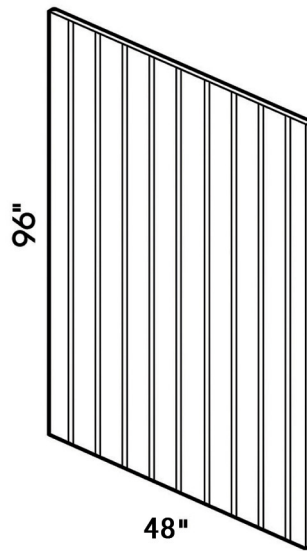


RM





REP2496



BP4*8